



Euramco Safety Worldwide

Manufacturers of RAMFAN Portable Ventilators

MARCH 2014 CATALOG



Fire and Rescue | Industrial Workplace | Confined / Hazardous Space | Marine | Military

PORTABLE VENTILATION SOLUTIONS FOR A SAFE WORKPLACE





Sales and Customer Service

AMERICA

Hours of Operation

M–F 11:00 a.m. – 8:00 p.m. EST

Toll Free 1 (800) 472-6326

Phone +1 (619) 670-9590

Fax +1 (619) 670-7345

CHINA

Hours of Operation

M–F 8:30 a.m. – 5:00 p.m.

Phone +86-574-87979390

Fax +86-574-87979391

EUROPE – LUXEMBOURG

Hours of Operation

M–F 9:00 a.m. – 5:00 p.m.

Phone +352-26008055

Fax +352-26008056

MIDDLE EAST – DUBAI (Jebel Ali FTZ)

Hours of Operation

M–F 4:30 a.m. – 1:00 p.m.

Phone +1 (619) 670-9590 x114

Fax +1 (619) 670-7345

Technical Assistance

Our Customer Service Support and Engineers are available to assist you with any set-up, operation or application inquiries during our hours of operation. Operation manuals are also included in product packages. For assistance please contact Customer Service or email theteam@euramcosafety.com.

Placing Your Order

Contact our Customer Service Department if you need help with placing your order.

For prompt, accurate ordering please be able to provide the following:

- A Purchase Order or letter with the company name or logo, address & approval signature. Purchase Orders must include a P.O. #, Bill To Address, Ship To Address, Model #, Order #, quantity of each products ordered and shipping method.

Purchase Orders can be received by
Fax: +1 (619) 670-7345 or
Email: theteam@euramcosafety.com

- A confirmation will follow all orders placed.

Find us on 

www.facebook.com/euramcosafety

TABLE OF CONTENTS



INDUSTRIAL/ CONFINED SPACE

1

Electric



HAZARDOUS LOCATIONS

9

Electric • Air



SMOKE REMOVAL

19

Gas • Electric • Water



ACCESSORIES

45

Ducting • Misting Systems • Plugs

EURAMCO SAFETY'S CERTIFIED PRODUCT MARK OF EXCELLENCE



Euramco Safety's Certified Product Mark is our visual statement to you that *RAMFAN Portable Ventilation Fans* are Quality Manufactured and have been tested by Recognized Third Party Testing Facilities throughout the world to certify all product performance information quoted in our catalog, sales materials and on our website is accurate. In addition, the Certified Product Mark assures you that all required operating certifications and designations required by the applicable agencies are in order and available for your review.



Euramco Safety is an ISO 9001:2008 Company: ISO 9000 is the internationally recognized Quality Management Standard used in more than 760,000 companies in 154 countries to maintain an internationally accepted standardized quality management throughout the world. Our commitment to this standard means our products are built in accordance with documented procedures and control processes to ensure ongoing uniformity and reliability.



The Air Movement and Control Association

The *Air Movement and Control Association* is the worldwide recognized authority for the development of standards and measurement of air movement. Euramco Safety is a member of AMCA and uses their PPV test. ANSI/AMCA Standard 240 - *Laboratory Methods of Testing Positive Pressure Ventilators for Aerodynamic Performance Rating* establishes a uniform method of laboratory testing of positive pressure ventilators (PPVs) in order to determine the airflow rate.



ATEX Hazardous Conditions Directive 94/9/EC

This directive applies to all electrical equipment for use in potentially explosive atmospheres; defined as gas, vapor or mist and are capable of causing an explosion through their own potential sources of ignition. RAMFAN Hazardous Location Fans are Whole Unit ATEX Certified for use in dangerous work environments as defined above anywhere in the world.



IECEX

The objective of the IECEx System is to facilitate international trade for equipment and services for use in explosive atmospheres, while maintaining the required level of safety. The IECEx has put in place a number of Conformity Assessment Schemes which provide assurance that equipment and systems are manufactured and operated according to the highest International Standards of safety.



Underwriters Laboratories, Inc.

UL is an independent, third party product safety certification organization that evaluates products for compliance to specific standards and permits those products that comply to carry the UL Mark. The UL Mark is recognized worldwide as a symbol of product safety.

Segurança



INMETRO – National Institute of Metrology, Normalization and Industrial Quality in Brazil

Products obtain the INMETRO Certification Mark when they meet National Standards or specific technical requirements as detailed in the Brazilian Conformity Evaluation System (SBAC).



Uniform Conformity Procedures Set Forth By the European Union

The CE Mark is a mandatory marking for certain product groups and certifies that a product meets EU consumer safety, health or environmental requirements. In order to use the CE mark on a product the manufacturer must draw up a Declaration of Conformity in which they attest conformity with all relevant EU Directives.



CSA – Canadian Standard Association

CSA International is a recognized provider of product testing and certification services throughout the world. The CSA Mark signifies the product has been tested and meets applicable U.S. and Canadian Standards, including those from CSA and UL for safety and performance.



INDUSTRIAL/ CONFINED SPACE

INDUSTRIAL/ CONFINED SPACE

RAMFAN combines high performance turbofan design with high strength polymers to create a line of rugged, portable turbo blowers. The UB-Line is ideal for general use, confined space, hazardous ventilation and delivers the highest airflow in their class. The double-wall, polyethylene casing is light-weight, corrosion and chemical resistant and handles the bumps and falls of any job site.

8"/20cm | UB20 Blower/Exhauster

- Powerful, compact size and lightweight
- High pressure axial blower with ultra-quiet operation
- Corrosion-proof, dent-resistant and virtually indestructible
- IP55 rain tested switch enclosure
- Double-walled UV resistant p
- Thermal switch provides overheat protection
- 15'/4.6m AC power cord
- 15'/4.6m DC power cord w/ battery clips
- IMPA Code:
ED7002 - 591406



UB20 (12V DC)

MODEL	UB20 (12V)	UB20 (50Hz)	UB20 (60Hz)
Order #	ED9002	ED8002	ED7002
NSN #	-	4940-01-559-9190	-
STOCK LOCATIONS			
FREE AIR 15ft/4.6m 1-90° turn 15ft/4.6m 2-90° turns	862cfm/1,465m ³ /hr 695cfm/1,181m ³ /hr 586cfm/996m ³ /hr	819cfm/1,392m ³ /hr 659cfm/1,120m ³ /hr 558cfm/948m ³ /hr	980cfm/1,666m ³ /hr 789cfm/1,341m ³ /hr 666cfm/1,132m ³ /hr
IMPELLER	9-blade	9-blade	9-blade
DUCT ADAPTER(S)	1	1	1
WEIGHT	17lbs/8kg	17lbs/8kg	17lbs/8kg
DIMENSIONS (h/w/d)	14/12/13 in 355/305/330 mm	14/12/13 in 355/305/330 mm	14/12/13 in 355/305/330 mm
NOISE	74dB	74dB	74dB
MOTOR	0.25Hp/0.19kW	0.33Hp/0.25kW	0.33Hp/0.25kW
ELECTRIC	12V DC	240VAC, 1ø	115VAC, 1ø
AMPS - RUN/START	11.5A	1.3A/4.8A	2.5A/9.5A
CERTIFICATION			

Airflow Certified by Colorado Experimental Engineering Station, Inc. (CEESI)

See page 11 for hazardous location models





Quick-Couple™ Reversible Canister

Detachable in seconds, the Quick-Couple™ Canister with attached duct conveniently reverses from discharge to suction, making use and storage easier while protecting duct from rips and tears. Available with 15'/4.6m or 25'/7.6m of duct.

15'/4.6m blower w/ canister:

14h x 12w x 31.5d in.
35.6h x 30.5w x 80d cm

25'/7.6m blower w/ canister:

14h x 12w x 41.5d in.
35.6h x 30.5w x 105d cm

Order # System Includes

Order #	System Includes
ED7015	8" 115V Blower/Exhauster, Quick-Couple™ Canister w/ 15' duct
ED7025	8" 115V Blower/Exhauster, Quick-Couple™ Canister w/ 25' duct
ED8015	20cm 240V, 50Hz Blower/Exhauster, Quick-Couple™ Canister w/ 4.6m duct
ED8025	20cm 240V, 50Hz Blower/Exhauster, Quick-Couple™ Canister w/ 7.6m duct
ED9015	8" 12V Blower/Exhauster, Battery Clips, Quick-Couple™ Canister w/ 15' duct
ED9025	8" 12V Blower/Exhauster, Battery Clips, Quick-Couple™ Canister w/ 25' duct

UB20 Turbo-Couple™ Long Distance Ventilation Solution

Quick-connecting two or more RAMFAN UB20 axial blowers in series increases airflow up to 50% when blowing through long, winding duct runs.

Designed for duct runs up to 25'/7.6m, the UB20 airflow significantly drops when blowing through more than 75'/22.9m of duct or when confronted with multiple turns in the duct.

Long, winding duct runs need more power and pressure to deliver sufficient airflow, a costly proposition. The Turbo-Couple™ delivers what is needed by quickly joining two or more UB20's in series, each adding pressure and power to deliver a dramatic airflow increase through the duct.

Simple, cost effective and now available.

- Pushes *MORE* air through long winding ducts
- Ventilate through 250ft/75m duct
- UB-line compatible
- High impact polyethylene housing



Order # System Includes

Order #	System Includes
ED7300	Turbo-Couple™ Accessory
ED7000TC	8" 115V, 60Hz Blower/Exhausters (qty. 2) and Turbo-Couple™
ED8000TC	20cm 240V, 50Hz Blower/Exhausters (qty. 2) and Turbo-Couple™

INDUSTRIAL/ CONFINED SPACE



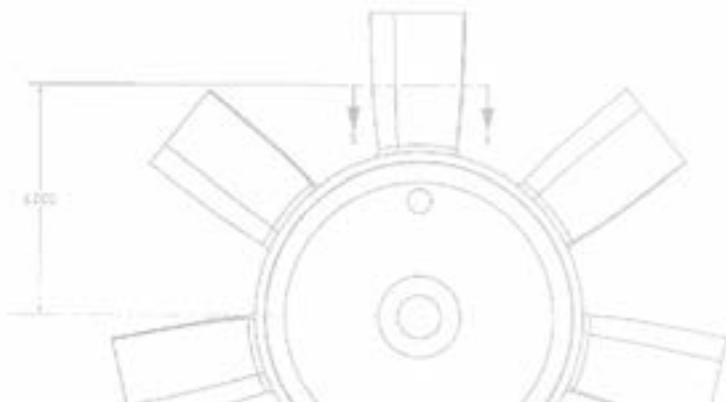
Battery Pak & Charger – 12V DC High-Low Control UB20

RAMFAN's long-life Battery Pak now with dual high-low speed control. Pulse width modulation extends battery life up to 8 hours in low setting yet gives a full 2.5 hours on high. UB20 fan can be powered by vehicle battery with supplied connector. Built-in charger allows you to fully recharge the battery cable in 12 hours.

Purge the area on high for 10 minutes, reduce to low speed (low-noise as well) and maintain fresh air for the whole work shift. Ideal for construction job sites to eliminate noisy gasoline-engine blowers.

Order #	System Includes
BPV-12/ BPV-12CE	12V DC Battery Pak w/ built in Charger
ED9015-BAT/ ED9015-BATCE	8"/20cm Blower/Exhauster, 12V DC Battery Pak with Built-in Charger, Quick-Couple™ Canister with 15'/4.6m duct
ED9025-BAT/ ED9025-BATCE	8"/20cm Blower/Exhauster, 12V DC Battery Pak with Built-in Charger, Quick-Couple™ Canister with 25'/7.6m duct

- High-low control enables fast-purge ventilation and lower speed for maintaining safe work space
- High impact case includes battery and built-in charger for overnight charging
- Up to 10 hours of continuous operation
- Lightweight and portable



UB20 M.E.D.™ Manhole Entry Device

The M.E.D.™ allows workers to enter and exit through small man-size openings while maintaining continuous ventilation. Without such a device, duct fills the manhole opening, preventing rapid entry and exit.

Tightly integrated into the UB-line of confined space ventilation equipment, RAMFAN's M.E.D.™ is quick to assemble and the new swiveling elbow makes duct alignment easy.

Changing its cross-section from circular to elliptical and back to circular minimizes loss and optimizes airflow into a confined space, while providing adequate room for the worker to enter and exit unimpeded. The rugged polyethylene construction endures heavy wear and tear and will last for years.

Comprised of three components, the M.E.D.™, swiveling elbow, and universal mount, the RAMFAN M.E.D.™ system increases safety by maintaining continuous airflow.

- Ventilate without blocking entry
- Maintain airflow while working
- UB-line compatible
- High impact polyethylene housing



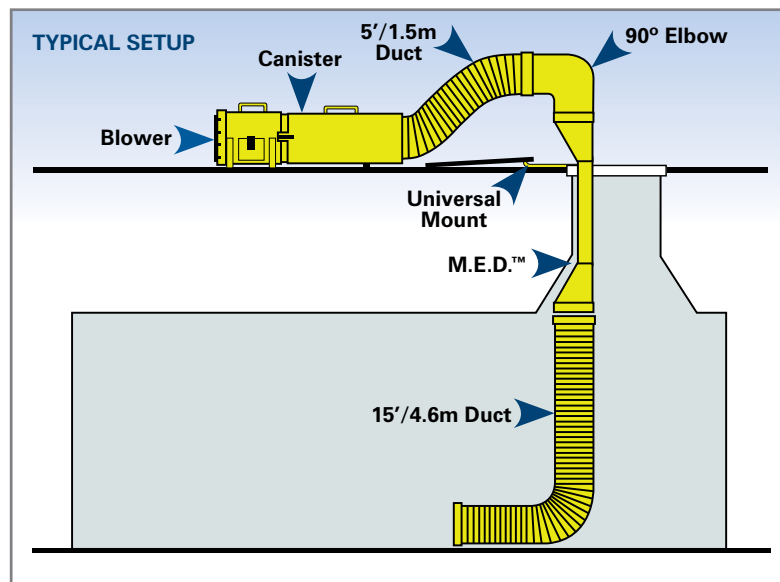
See page 13 for anti-static M.E.D.™ System



System Includes (or may be individually ordered): 8"/20cm Blower/Exhauster, Quick-Couple™ Canister with 15'/4.6m and 5'/1.5m of duct, Manhole Entry Device, 90° Elbow, Universal Mount, 8"/20cm duct adapter for additional duct connections.

Order

ED7015-MED	M.E.D. System with 115V/60Hz Blower
ED8015-MED	M.E.D. System with 240V/50Hz Blower
ED9015-MED	M.E.D. System with 12V DC Blower



SET-UP PROCEDURE

1. Remove Manhole Lid
2. Place Manhole Mount at the edge of the manhole so that the hook on the mount is hanging a few inches over the manhole. Place the Manhole lid at the opposite end (lid will be propped up by manhole mount).
3. Attach the 15'/4.6m Duct to the bottom of the M.E.D.™
4. Secure the M.E.D.™ by hooking onto Manhole Mount
5. Attach the 90° Elbow by lining up the arrows at the bottom of the elbow with the arrows at the top of the M.E.D.™ then twisting a half rotation.
6. Set up Blower and Canister with 5'/1.5m Duct approx. 7/2m away from manhole. Attach Canister to blower using the rubber latches on the side of the Canister.
7. Pull out Duct from Canister and attach to the 90° Elbow
8. Plug Blower into power source and turn on.

INDUSTRIAL/ CONFINED SPACE

UB20 In-Line Heating System

RAMFAN's UB20 In-Line Heating System with its propane-fired, heat-exchanger provides safe, warm breathing air during cold conditions.

- For tent/shelter or confined space heating
- Airflow can cycle with heat or run continuous for confined space ventilation
- Remote thermostat included
- Up to 10 hours of continuous operation with standard propane cylinder tank
- Heater attaches quickly and easily to UB20 blower
- Includes propane regulator and connection assembly
- Easy access top mounted heater control panel
- Compatible with UB20 M.E.D.™ system
- 15'/4.6m power cord w/ IP55 rain tested switch enclosure



MODEL	HA01	HA02	HA03
STOCK LOCATIONS			
FREE AIR	947cfm	–	–
Straight Duct	15ft: 520cfm 25ft: 521m³/hr	–	–
1-90° turn	15ft: 485cfm 25ft: 432m³/hr	–	–
2-90° turns	15ft: 467cfm 25ft: 414m³/hr	–	–
DUCT ADAPTER(S)	1	1	1
POWER	115VAC, 60Hz, 1ø	115VAC, 50Hz, 1ø, 360W	240VAC, 50Hz, 360W
OUTPUT	55k BTU (gross)	13.5kW	13.5kW
WEIGHT	32lbs	13.5kg	13.5kg
DIMENSIONS (h/w/d)	22/13/14 in	560/330/355 mm	560/330/355 mm
CERTIFICATIONS			

Airflow Certified by Colorado Experimental Engineering Station, Inc. (CEESI)

*HA04 70k BTU for all kits

ORDER PACKAGES			
Confined Space Heating			
Order #	HA01-100HT	HA02-100HT	HA03-100HT
System Options	UB20 8" Blower, Heater with Regulator, Quick-Couple™ Canister w/ 15' Duct	UB20 20cm Blower, Heater with Regulator, Quick-Couple™ Canister w/ 4.6m Duct	UB20 20cm Blower, Heater with Regulator, Quick-Couple™ Canister w/ 4.6m Duct
Order #	HA01-125HT	HA02-125HT	HA03-125HT
System Options	UB20 8" Blower, Heater with Regulator, Quick-Couple™ Canister w/ 25' Duct	UB20 20cm Blower, Heater with Regulator, Quick-Couple™ Canister w/ 7.6m Duct	UB20 20cm Blower, Heater with Regulator, Quick-Couple™ Canister w/ 7.6m Duct
Tent/Shelter Heating			
Order #	ED7125-HT	ED6125-HT	ED8125-HT
System Options	UB20 8" Blower, Heater with Regulator, Quick-Couple™ Canister w/ 15' Duct	UB20 20cm Blower, Heater with Regulator, 4.6m Duct, Duct Storage Bag	UB20 20cm Blower, Heater with Regulator, 4.6m Duct, Duct Storage Bag



Patent nos. D583,461; D585,972; D588,537

12"/30cm | UB30 High Volume Blower/Exhauster

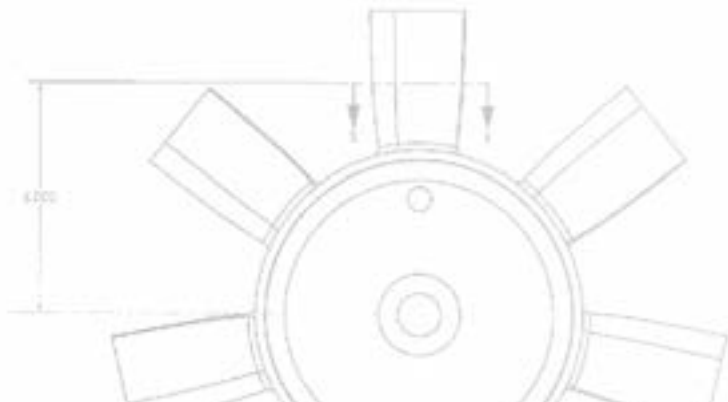
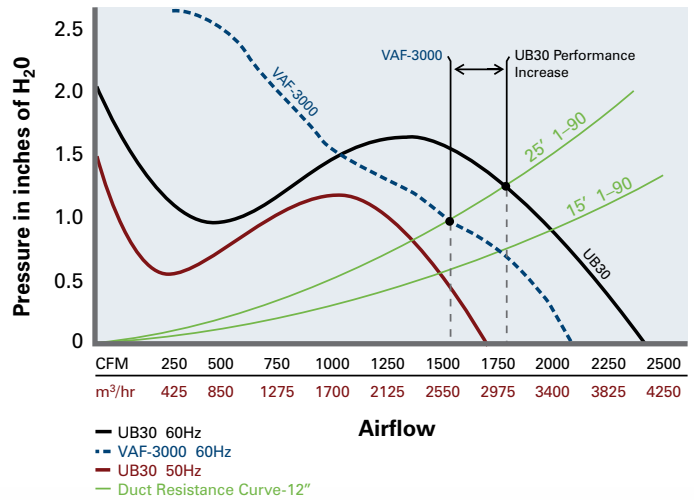
- Dual voltage/dual frequency/one unit
- High impact polyethylene shell
- Glass-filled nylon turbo fan blade
- Low starting amps
- IP55 rain tested switch enclosure
- Stackable design feature
- Comes with standard 15'/4.6m power cord
- Compatible with UB20 M.E.D™ System
- IMPA Codes:
EJ4002 - 591403
EJ8002 - 591407

Optional Accessories: Standard Duct, Duct Storage Bag, Duct Reducer/ Adapter



MODEL	UB30 (60Hz)	UB30 (50Hz)
Order #	EJ4002	EJ8002
STOCK LOCATIONS		
FREE AIR	2,420cfm/4,114m ³ /hr	2,017cfm/3,429m ³ /hr
15ft/4.6m Duct		
Straight	2,250cfm	2,805m ³ /hr
1-90° turn	2,050cfm	2,550m ³ /hr
2-90° turns	1,875cfm	2,340m ³ /hr
25ft/7.6m Duct		
Straight	1,950cfm	2,465m ³ /hr
1-90° turn	1,825cfm	2,380m ³ /hr
2-90° turns	1,750cfm	2,250m ³ /hr
IMPELLER	11-blade	11-blade
DUCT ADAPTER(S)	2	2
WEIGHT	37lbs/17kg	37lbs/17kg
DIMENSIONS (h/w/d)	20/15.5/12 in 508/394/305 mm	20/15.5/12 in 508/394/305 mm
NOISE	95dB	95dB
MOTOR	1Hp	0.8kW
ELECTRIC	115V, 50/60Hz, 1φ	240V, 50/60Hz, 1φ
AMPS - RUN/START	8A/33A	5A/17A

COMPETITIVE/PERFORMANCE



INDUSTRIAL/ CONFINED SPACE



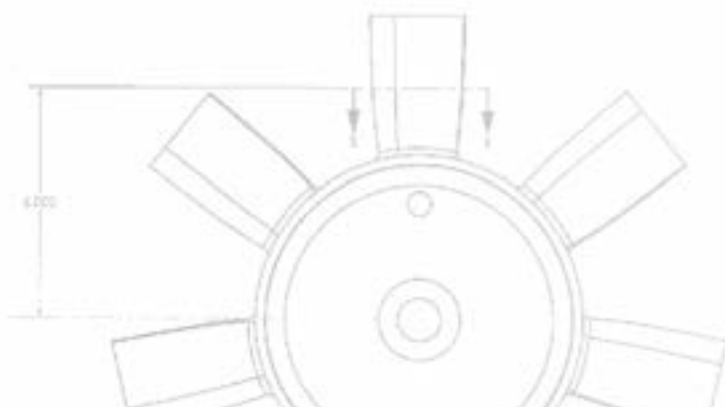
EFi50

16"/40cm | EFi50/EFi120/EFi150 High Volume Blower/Exhauster

- Engineered to move high volumes of air
- Stackable for additional easy storage
- High strength, anti-static glass reinforced ABS housing is lightweight, corrosion proof and chemical resistant
- IP55 rain tested switch enclosure
- New polymer TurboForce™ impeller for increased shatter resistance and enhanced performance
- 15ft/4.6m power cord included
- IMPA Codes:
EA8000 (110V) - 591502
EA8000-230 (230V) - 591502

Optional Accessories: Standard Duct, Disposable Duct, Layflat Duct, Duct Carrying Bags, 16"/40cm Multi-purpose Accessory Pack

MODEL	EFi50	EFi120 (50Hz)	EFi150
Order #	EA8000, EA8000-230	EA8120	EG8200, EG8200-230
STOCK LOCATIONS			
FREE AIR 15ft/4.6m 1-90° turn	3,200cfm/5,440m ³ /hr 1,934cfm/3,289.5m ³ /hr	3,750cfm/6,375m ³ /hr 2,700cfm/4,590m ³ /hr	4,459cfm/7,580m ³ /hr 3,179cfm/5,404m ³ /hr
IMPELLER	21-blade	7-blade	7-blade
DUCT ADAPTER(S)	2	2	2
WEIGHT	46lbs/21kg	53lbs/24kg	55lbs/25kg
DIMENSIONS (h/w/d)	19/18/16 in 483/457/407 mm	19/18/16 in 483/457/407 mm	19/18/16 in 483/457/407 mm
NOISE	90.2dB	86.1dB	90.2dB
MOTOR	0.5Hp/0.37kW	1.2Hp/0.9kW	1.5Hp/1.1kW
ELECTRIC	115/230VAC, 1ø, 50/60Hz	110/240VAC, 1ø, 50Hz	115/230VAC, 1ø, 50/60Hz
AMPS – RUN/START	115V: 21A 230V: 10A 115V: 6A 230V: 3A	110V: 54A 240V: 27A 110V: 12A 240V: 5A	115V: 80A 240V: 40A 115V: 15A 230V: 8A





HAZARDOUS LOCATIONS

HAZARDOUS LOCATIONS

The Ex Explosion Proof Rating – Recognized Worldwide: We have designed and manufactured a line of fans specifically for use in Explosive Atmospheres to meet the standards specified by the ATEX Directive 94/9/EC, which went into effect on March 1, 1996 and applies to all manufacturers worldwide.

This directive applies to all electrical equipment used in potentially explosive atmospheres; defined as gas, vapor or mist and are capable of causing an explosion through their own potential sources of ignition.

All RAMFAN Explosion Proof Blowers and Exhausters have been certified by UL to bear the ATEX Mark Ex and have been tested to the standards set forth in the ATEX Directive. Our certification covers the whole unit: the motor, the connecting cable, the fan blade terminal box, the power cable and the plugs.

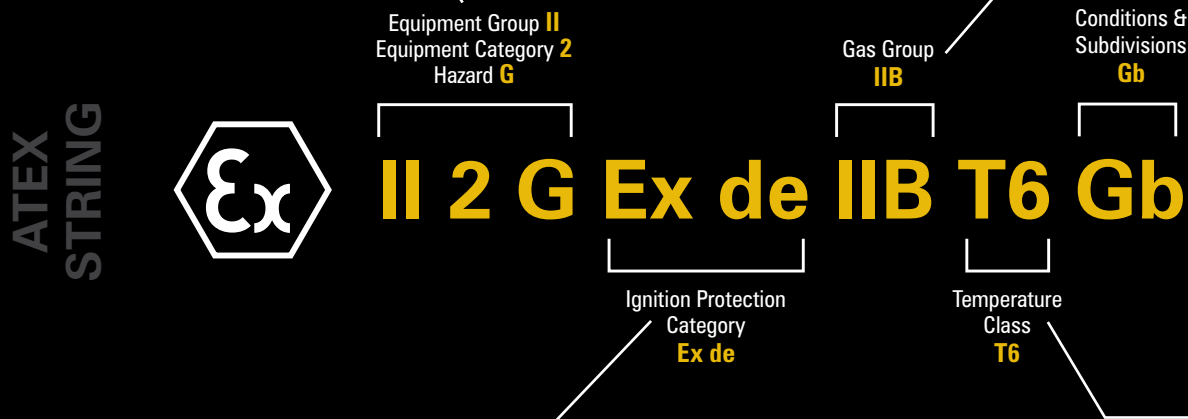
The following information explains the ATEX Classification and Designation Identification Numbering System. The Highlighted areas specifically apply to the Classification Designation numbers you will see on our explosion proof units.

EQUIPMENT GROUP & CATEGORY

Equipment Group	Equipment Category	Protection Level	Hazard Gas	Dust	Use
I - Mining	M1	Very high protection	-	-	Operable in Ex atmosphere
	M2	High protection	-	-	De-energized in Ex atmosphere
II - Industrial (non-Mining)	1	Very high protection	G	-	Zones 0, 1, 2
			-	D	Zones 20, 21, 22
	2	High protection	G	-	Zones 1, 2
			-	D	Zones 21, 22
	3	Normal protection	G	-	Zone 2
			-	D	Zone 22

CLASSIFICATION OF HAZARDOUS AREAS

Area Classification Gases	Dusts	Zone Criteria (based on frequency and duration)
Zone 0	-	Potentially Explosive substance present continuously or for long periods > 1000hrs/yr
-	Zone 20	
Zone 1	-	Potentially Explosive substance likely to be present in normal operation > 10hrs > 1000hrs/yr
-	Zone 21	
Zone 2	-	Potentially Explosive substance unlikely to be present in normal operation, if it does will only be for short periods < 10hrs/yr
-	Zone 22	



IGNITION PROTECTION CATEGORIES

Ignition Protection Categories	I.D.	Can Be Used In	Safety Principle
Increased safety	Ex e	Zone 1	No arcs, sparks or hot surfaces
Non-sparking equipment	Ex nA	Zone 2	
Pressurized encapsulation	Ex d	Zone 1	Controls an internal explosion and extinguishes the flame
Sand encapsulation	Ex q	Zone 1	
Enclosed switching device	Ex nC	Zone 2	
Intrinsic safety (special requirements)	Ex ia	Zone 0	Limits the energy of the sparks and the temp. of the surface
Intrinsic safety temperature	Ex ib	Zone 1	
Energy-limiting equipment	Ex nL	Zone 2	
Encapsulation	Ex m	Zone 1	Separates source of ignition from potentially explosive atmosphere
Oil encapsulation	Ex o	Zone 1	
Pressurization	Ex p	Zone 1	
Simplified pressurization	Ex nP	Zone 2	
Vapor-proof housing	Ex nR	Zone 2	

Junction Box

Motor

GAS GROUPS

Gas Group	Representative Test Gas
I	Methane (Mining only)
IIA	Propane
IIB	Ethylene
IIC	Hydrogen

Gases are classified according to the ignitability of gas-air mixture. Refer to IEC 60079-20 for classification of common gases and vapors.

Gas Group IIB includes all gases for Group IIA

Certifications:

IECEx UL Certificate #: **13.0062X**

EC-Type Examination Certificate #: **DEMKO 09 ATEX 0926969X**

INMETRO Certificate #: **UL-BR 13.0593X**

CE Hazardous Location Marking: **CE0539**

Ingress Protection: **IP55**

CONDITIONS & SUBDIVISIONS

Flammable Materials	Temporary Behavior of Explosive Atmosphere	Classification of Hazardous Areas	Group as Defined in Directive 94/9/EC	Equipment Category as Defined in Directive 94/9/EC	Equipment Group as Defined in EN 60079-0	Equipment Protection Level (EPL) as Defined in EN 60079-0
Gases/Vapors	is present continuously or for long periods or frequently	Zone 0	II	1G	II	Ga
	arises in normal operation occasionally	Zone 1	II	2G or 1G	II	Gb or Ga
	is not likely to arise in normal operation, or if it does, will persist for a short time only	Zone 2	II	3G or 2G or 1G	II	Gc or Gb or Ga
Dusts	is present in the form of a cloud continuously, or for long periods or frequently	Zone 20	II	1D	III	Da
	occasionally develops into a cloud during normal operation	Zone 21	II	2D or 1D	III	Db or Da
	is not likely to develop into a cloud during normal operation, or if it does, for a short time only	Zone 22	II	3D or 2D or 1D	III	Dc or Db or Da
Methane Carbon Dust	operation where there is a risk of explosion	–	I	M1	I	Ma
	disconnection where there is a risk of explosion	–	I	M2 or M1	I	Mb or Ma

TEMPERATURE CLASSES

Class	T1	T2	T3	T4	T5	T6
	MAXIMUM SURFACE TEMPERATURE					
	450°C	300°C	200°C	135°C	100°C	85°C
IIA	Acetone Ammoniac Benzene Acetic Acid Ethane Ethyl Acetate Ethyl Chloride Methane Methanol Naphthalene Phenol Propane	i-Amylacetate n-Butane n-Butyl Alcohol	Gasolines Diesel Fuels Heating Oils n-Hexane	Acetyl- dehyde	–	–
IIB	Town gas (lighting gas)	Ethylene Ethylene Oxide	Hydrogen Sulfide	Ethylether	–	–
IIC	Hydrogen	Acetylene	–	–	–	Carbon

Gas Group IIB, Class t6 includes all specifications for Gas Group IIA, Class T1-T6 and Gas Group IIB, T1-T6

Highlighted areas in charts apply to Euramco Safety's ATEX Certification String



8"/20cm | UB20xx Intrinsically Safe Blower/Exhauster

- Intrinsically safe blower – ATEX certified for safe use in a variety of adverse atmospheres
- Compact and lightweight
- Tough dual wall casing – weather proof, chemical resistant and dent proof
- IP55 rain tested switch enclosure
- Ultra-quiet operation
- Power cable is 30ft/9m long. See page 48 for plug options.
- IMPA Codes: EF7002 - 591416
EF8002 - 591417



Part No. EF0304x
Duct Adapter

Optional Accessories: Quick-Couple™ Canister, Duct Adapters, Anti-Static Duct, Duct Carrying Bags

MODEL	UB20xx 115V (60Hz)	UB20xx 115V (60Hz) with Q-C Canister*	UB20xx 220V (50/60Hz)	UUB20xx 220V (50Hz) with Q-C Canister*
Order #	EF7002 EF7005 (w/ duct adapter)	EF7015 (15'/4.6m duct) EF7025 (25'/7.6m duct)	EF8002 EF8005 (w/ duct adapter)	EF8015 (15'/4.6m duct) EF8025 (25'/7.6m duct)
NSN #	-	-	4940-01-603-7098	-
STOCK LOCATIONS				
FREE AIR 15ft/4.6m 1-90° turn 15ft/4.6m 2-90° turns 25ft/7.6m 1-90° turn 25ft/7.6m 2-90° turns	980cfm/1,666m³/hr 789cfm/1,341m³/hr 666cfm/1,132m³/hr 722cfm/1,227m³/hr 614cfm/1,044m³/hr	980cfm/1,666m³/hr 789cfm/1,341m³/hr 666cfm/1,132m³/hr 722cfm/1,227m³/hr 614cfm/1,044m³/hr	819cfm/1,392m³/hr 659cfm/1,120m³/hr 557cfm/947m³/hr 603cfm/1,025m³/hr 510cfm/867m³/hr	819cfm/1,392m³/hr 659cfm/1,120m³/hr 557cfm/947m³/hr 603cfm/1,025m³/hr 510cfm/867m³/hr
DUCT ADAPTER(S)	0	0	0	0
WEIGHT	22lbs/10kg	22lbs/10kg	22lbs/10kg	22lbs/10kg
DIMENSIONS (h/w/d)	14/12/14 in 356/305/356 mm	14/12/14 in 356/305/356 mm	14/12/14 in 356/305/356 mm	14/12/14 in 356/305/356 mm
NOISE	74dB	74dB	74dB	74dB
MOTOR	0.33Hp/0.25kW	0.33Hp/0.25kW	0.25Hp/0.19kW	0.25Hp/0.19kW
ELECTRIC	115VAC, 1ø	115VAC, 1ø	220VAC, 1ø	220VAC, 1ø
AMPS – RUN	2A	2A	1.2A	1.2A
UNIT CERTIFICATION	II 2 G Ex d e IIB T6 Gb Ex d e IIB T6 Gb Ex d e IIB T6 Gb	II 2 G Ex d e IIB T6 Gb Ex d e IIB T6 Gb Ex d e IIB T6 Gb	II 2 G Ex d e IIB T6 Gb Ex d e IIB T6 Gb Ex d e IIB T6 Gb	II 2 G Ex d e IIB T6 Gb Ex d e IIB T6 Gb Ex d e IIB T6 Gb
MOTOR CERTIFICATION	II 2 G Ex d IIB Gb	II 2 G Ex d IIB Gb	II 2 G Ex d IIB Gb	II 2 G Ex d IIB Gb



UB20xx M.E.D.™ Manhole Entry Device

The Intrinsically Safe UB20xx System utilizes high strength polymers with an anti-static housing designed to discharge static build-up safely. The M.E.D.™ allows workers to enter and exit small man-size openings while maintaining continuous ventilation. Without such a device, duct fills the manhole opening, preventing rapid entry and exit.

Tightly integrated into the UB-line of confined space ventilation equipment, RAMFAN's M.E.D.™ is quick to assemble and the new swiveling elbow makes duct alignment easy.

Changing its cross-section from circular to elliptical and back to circular minimizes loss and optimizes airflow into a confined space, while providing adequate room for the worker to enter and exit unimpeded. The rugged polyethylene construction endures heavy, negligent use and will last for years.

Comprised of three components, the M.E.D.™, swiveling elbow, and universal mount, the RAMFAN M.E.D.™ system increases safety by maintaining continuous airflow.

- Ventilate without blocking entry
- Maintain airflow while working
- UB-line compatible
- Anti-Static housing



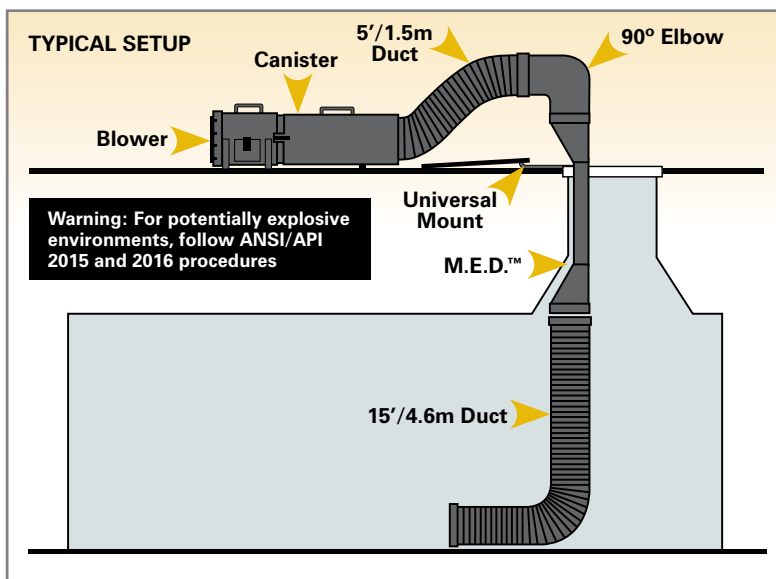
System Includes: 8"/20cm Blower/Exhauster, Quick-Couple™ Canister with 15'/4.6m and 5'/1.5m of duct, Manhole Entry Device, 90° Elbow, Universal Mount, 8"/20cm duct adapter for additional duct connections.

Patents: U.S. #6,843,274, #7,467,645, #7,992,593 B2;
Canadian #2,561,299, #2,436,809; China CN1813137b;
European #1491695; Australian 2004 202394



Order

ED7015-MEDXX	115V/60Hz Blower with 15'/4.6m and 5'/1.5m Duct
ED8015-MEDXX	220V/50Hz Blower with 15'/4.6m and 5'/1.5m Duct



SET-UP PROCEDURE

1. Remove Manhole Lid
2. Place Manhole Mount at the edge of the manhole so that the hook on the mount is hanging a few inches over the manhole. Place the Manhole lid at the opposite end (lid will be propped up by manhole mount).
3. Attach the 15'/4.6m Duct to the bottom of the M.E.D.™
4. Secure the M.E.D.™ by hooking onto Manhole Mount
5. Attach the 90° Elbow by lining up the arrows at the bottom of the elbow with the arrows at the top of the M.E.D.™ then twisting a half rotation.
6. Set up Blower and Canister with 5'/1.5m Duct approx. 7'/2m away from manhole. Attach Canister to blower using the rubber latches on the side of the Canister.
7. Pull out Duct from Canister and attach to the 90° Elbow
8. Plug Blower into power source and turn on.



12"/30cm | EF75xx Intrinsically Safe Blower/Exhauster

- Intrinsically safe – ATEX certified for use in adverse atmosphere
- Tough, chemical resistant ABS housing, carbon-filled to conduct static charges to ground
- IP55 rain tested switch enclosure “watertight”
- Blow or exhaust hazardous/explosive gases safely
- Power cable is 30ft/9m long. See page 48 for plug options.
- IMPA Codes:
EB7201xx (110V) - 591506, 591418, 591423
EB7201xx-230 (230V) - 591506, 591419, 591424

Optional Accessories: Anti-Static Duct, Duct Carrying Bags

MODEL	EF75xx
Order #	EB7201XX/EB7201XX-230
STOCK LOCATIONS	
FREE AIR 15ft/4.6m 1-90° turn 15ft/4.6m 2-90° turns	2,500cfm/4,250m³/hr 1,664cfm/2,829m³/hr 1,529cfm/2,599m³/hr
DUCT ADAPTER(S)	2
WEIGHT	44lbs/20kg
DIMENSIONS (h/w/d)	16/15/16 in 406/381/406 mm
NOISE	89dB
MOTOR	0.75Hp/0.56kW
ELECTRIC	12V DC
AMPS – START	115V: 37A 230V: 27A
– RUN	115V: 7.2A 230V: 3A
UNIT CERTIFICATION	II 2 G Ex d e IIB T6 Gb Segurança Ex d e IIB T6 Gb
MOTOR CERTIFICATION	II 2 G Ex d IIB Gb





EFi50xx

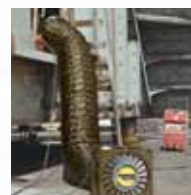


16"/40cm | EFi50xx/EFi120xx/EFi150xx Intrinsically Safe Blower/Exhauster

- Models EFi120xx and EFi150xx are whole-unit ATEX certified for safe use in adverse atmospheres
- Blow/exhaust hazardous or explosive gases safely
- High strength, anti-static glass reinforced ABS housing is lightweight, corrosion proof and chemical resistant
- IP55 rain tested switch enclosure
- Stackable for easy storage
- Power cable is 30ft/9m long. See page 48 for plug options.
- IMPA Codes:
EG8200x (110V) - 591507
EG8200xx-230 (230V) - 591507

Optional Accessories: Anti-Static Duct, Duct Carrying Bags

MODEL	EFi50xx	EFi120xx (50Hz)	EFi150xx
Order #	EA8000XX	EA8120XX	EG8200XX, EG8200XX-230
NSN #	–	4140-01-608-6001	–
STOCK LOCATIONS			
FREE AIR 15"/4.6m 1-90° turn	3,200cfm/5,440m ³ /hr 1,935cfm/3,289m ³ /hr	3,750cfm/6,375m ³ /hr 2,700cfm/4,590m ³ /hr	4,459cfm/7,580m ³ /hr 3,179cfm/5,404m ³ /hr
IMPELLER	21-blade	7-blade	7-blade
DUCT ADAPTER(S)	2	2	2
WEIGHT	49lbs/22kg	55lbs/25kg	61lbs/28kg
DIMENSIONS (h/w/d)	19/18/16 in 483/457/407 mm	19/18/16 in 483/457/407 mm	19/18/16 in 483/457/407 mm
NOISE	90.2dB	86.1dB	90.2dB
MOTOR	0.5Hp/0.37kW	1.2Hp/0.9kW	1.5Hp/1.1kW
ELECTRIC	115/230VAC, 1ø, 50/60Hz	110/240V VAC, 1ø, 50Hz	115/230VAC, 1ø, 50/60Hz
AMPS – START – RUN	115V: 21A 230V: 10A 115V: 6A 230V: 3A	110V: 54A 240V: 27A 110V: 10A 240V: 5A	115V: 80A 230V: 40A 115V: 15A 230V: 8A
UNIT CERTIFICATION	–	II 2 G Ex d e IIB T6 Gb	II 2 G Ex d e IIB T6 Gb
	–	–	Segurança Ex d e IIB T6 Gb
MOTOR CERTIFICATION	UL Class I - Group D UL Class II - Group E, F, G	II 2 G Ex d IIB Gb	II 2 G Ex d IIB Gb






HAZARDOUS LOCATIONS

16"/40cm | AFi50xx Intrinsically Safe Air Driven Blower/Exhauster

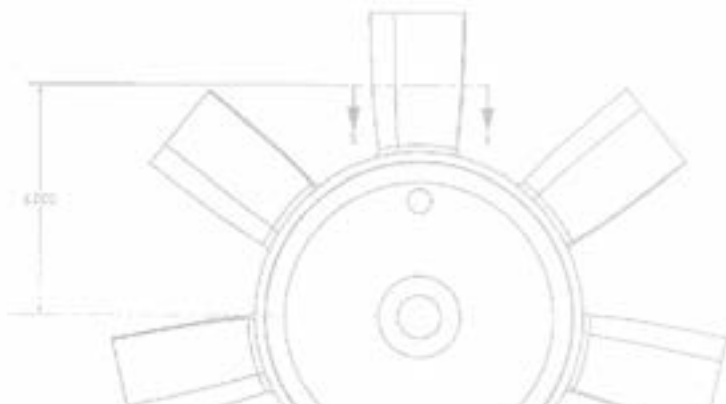
- Intrinsically safe for use in adverse atmospheres
- Pneumatic powered blower
- High strength, anti-static glass reinforced ABS housing is lightweight, corrosion proof and chemical resistant
- Exhausts OUTSIDE of duct, compressed air not in airstream
- Complete with filter, motor lubricator, exhaust muffler, air control valve and static grounding cord
- IMPA Codes:
AA7000 - 591512, 591426

Optional Accessories: Standard Duct, Anti-Static Duct, Duct Carrying Bags, Cooling Collar,



MODEL	AFi50xx
Order #	AA7000
STOCK LOCATIONS	  
FREE AIR*	3,200cfm/5,440m³/hr
DUCT ADAPTER(S)	2
AIR CONSUMPTION	40cfm/68m³/hr
INDUCTION RATIO	80:1
WEIGHT	43lbs/20kg
DIMENSIONS (h/w/d)	19/21/16 in 480/530/407 mm
NOISE	89dB
MOTOR	GAST 4AM-NRV-50C

* Measurements @ 80psig inlet air






12"/30cm | AFi75xx Intrinsically Safe Air Driven Blower/Exhauster

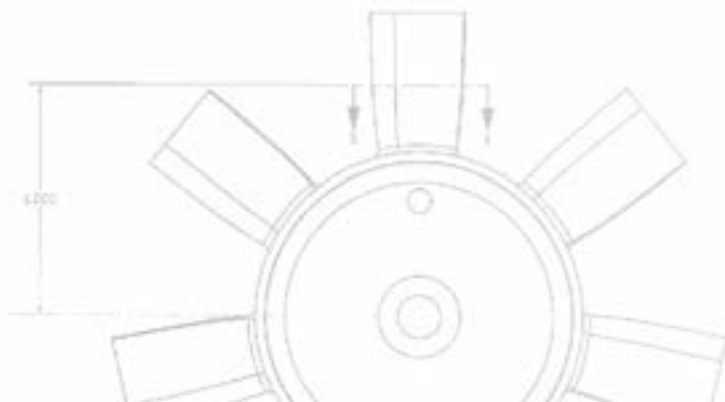
- Intrinsically safe for use in adverse atmospheres
- Pneumatic powered blower
- High strength, anti-static glass reinforced ABS housing is lightweight, corrosion proof and chemical resistant
- Complete with filter, motor lubricator, exhaust muffler, air control valve and static grounding cord
- Exhausts OUTSIDE of duct, compressed air not in airstream
- IMPA Codes:
AB7000 - 591511, 591425

Optional Accessories: Standard Duct, Anti-Static Duct, Duct Carrying Bags



MODEL	AFi75xx
Order #	AB7000
STOCK LOCATIONS	  
FREE AIR*	2,042cfm/3,471m ³ /hr
DUCT ADAPTER(S)	2
AIR CONSUMPTION	40cfm/68m ³ /hr
INDUCTION RATIO	51:1
WEIGHT	38lbs/15kg
DIMENSIONS (h/w/d)	16/17/16 in 410/430/410 mm
NOISE	89dB
MOTOR	GAST 4AM-NRV-50C

* Measurements @ 80psig inlet air





Venturi Cones | RV760S/RV760/RV1500

- Intrinsically safe for use in adverse or explosive atmospheres when used with optional static cord
- Pneumatic (compressed air) or saturated steam powered
- Crush and dent resistant, anti-static, polyethylene cone
- Cylindrical mixing chamber delivers higher induction ratios
- Fits standard API 3"/7cm and 6"/15cm openings
- No moving parts
- Requires minimum maintenance
- IMPA Codes:
RV760S - 591430
RV760 - 591432
RV1500 - 591433



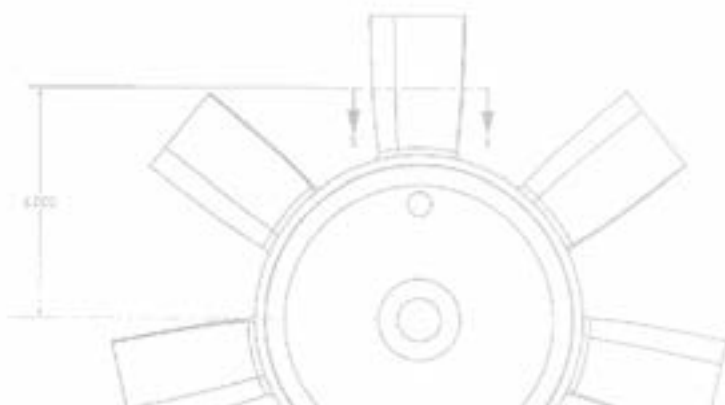
Optional Static Cord

Order #	Accessory
AZ-RAC-10	Static Cord

MODEL	RV760S	RV760	RV1500
Order #	RV760S	RV760	RV1500
STOCK LOCATIONS			
INLET CONNECTION	0.5"/12.7mm NPT	0.5"/12.7mm NPT	1"/25.4mm NPT
FLANGE	API 3"/76.2mm (6.56"/167mm BC)	API 3"/76.2mm (6.56"/167mm BC)	API 6"/152.4mm (6.56"/167mm BC)
WEIGHT	5lbs/2kg	6lbs/3kg	19lbs/9kg
DIMENSIONS (h/w/d)	5/16 in 127/406 mm	8/33 in 203/838 mm	12/42 in 305/1067 mm

40PSIG INLET AIR			
FREE AIR	810cfm/1,377m ³ /hr	1,001cfm/1,702m ³ /hr	2,740cfm/4,658m ³ /hr
AIR CONSUMPTION	22cfm/37m ³ /hr	22cfm/37m ³ /hr	59cfm/100m ³ /hr
INDUCTION RATIO	37:1	46:1	47:1

80PSIG INLET AIR			
FREE AIR	1,180cfm/2,006m ³ /hr	1,439cfm/2,446m ³ /hr	3,329cfm/5,659m ³ /hr
AIR CONSUMPTION	58cfm/99m ³ /hr	58cfm/99m ³ /hr	124cfm/211m ³ /hr
INDUCTION RATIO	20:1	25:1	27:1





SMOKE REMOVAL



SMOKE REMOVAL



The Future of PPV is Now: PowerStream™ – only from RAMFAN

Traditional RAMFAN ventilation fans certainly have their place. Tried and true, tested and trusted, they've been with you for five, ten, even 15 years. And they've never let you down. However, there comes a time when a new innovation in equipment technology makes you reconsider everything you've always thought about PPV. That time is now: **RAMFAN's GX Series with PowerStream Ventilation.**

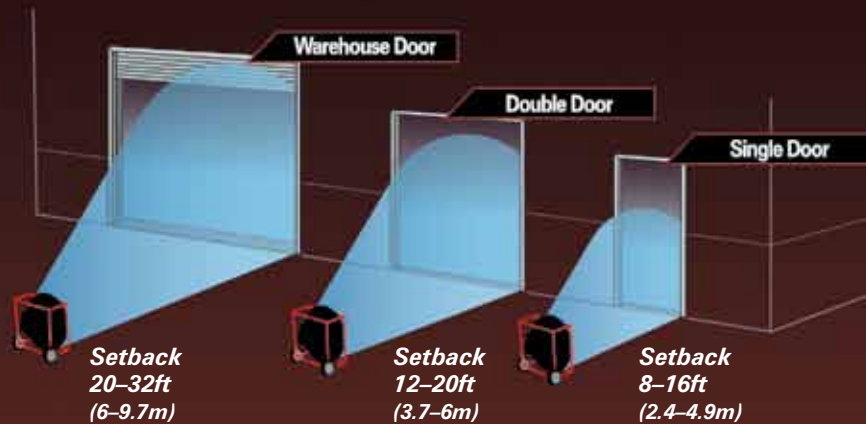
PowerStream ventilation results from a state-of-the-art combination of a fan impeller and stator that takes the cone of air you've always used for PPV and tightens it to keep it focused over longer distances without losing significant power. You still get the same, dependable flow of air to ventilate a structure, you can just do it from farther away.

GX Ventilators with PowerStream allow 8–32ft/2.4–9.7m setback from your access point!

- No more fans in your way while you get in and victims get out
- No more tripping over wires or kicking over fans
- Flexible positioning to get exactly the right spot for maximum performance
- Less interior noise to interfere with communications
- No other manufacturer can compete with our INDEPENDENTLY VERIFIED cfm and setback distances

GX Fans allow for 3–5 times the setback of conventional PPV fans. RAMFAN will provide procedures upon request.

Never compare cfm between manufacturers without asking how they tested their fans!



	Warehouse	Double	Single
GX200	–	–	12,800cfm 21,760m3/hr
GX350	–	19,900cfm 33,830m3/hr	16,800cfm 28,560m3/hr
GX400	31,200cfm 53,040m3/hr	22,500cfm 38,250m3/hr	18,000cfm 30,600m3/hr
GX500	37,700cfm 64,090m3/hr	27,800cfm 47,260m3/hr	19,100 cfm 32,470m3/hr
GX600	49,000cfm 83,300m3/hr	32,500cfm 55,250m3/hr	–

PPV output changes as setback from the opening changes. Setback is measured from the blower to the door opening. AMCA 240 requires that an airflow number be published with a setback distance. The airflow data is a guide to expected performance.



16"/40cm | GX200
Lightest PPV Fan Ever – Only 48lbs!




Order #	GG5010
RUN TIME	100min
WEIGHT	48lbs/22kg
DIMS (h/w/d)	20/19/20.5 / 510/480/520 mm
NOISE	95dB
MOTOR	Honda 2.1Hp GXH50

STOCK LOCATIONS  



18"/46cm | GX350
Most Versatile PPV Blower in its Class

Order #	GG5010
RUN TIME	100min
WEIGHT	48lbs/39kg
DIMS (h/w/d)	22/22/20 / 550/550/500 mm
NOISE	96.1dB
MOTOR	Honda 5.5Hp GX200

STOCK LOCATIONS   

The Little Features that make a BIG Difference:

In addition to the extended setback provided by PowerStream Ventilation, each model in our GX line of gas powered ventilators also features:

- Full-width Folding Handle for easy maneuvering
- WIDE-Trac Semi-Pneumatic Urethane Tires — your fan stays put on ice, wet grass, mud or uneven surfaces
- ONE-Step™ Tilt Adjustment for easy positioning
- Welded, Unitized Steel Frame, off-road “Roll Cage” design with wide footprint reduces vibration, lengthens service life
- Electronic Meter tracks maintenance intervals
- Steel Shroud attached to engine reduces vibration and increases stability
- Optional integrated mister accessory available for Models GX350, GX400, GX500 and GX600



GX600 with New Mister Accessory



See page 22 for full warranty information.



21"/54cm | GX400
High Volume PPV for ANY Building




Order #	GE5022
RUN TIME	108min
WEIGHT	88lbs/40kg
DIMS (h/w/d)	25/25/22 / 640/640/570 mm
NOISE	96.1dB
MOTOR	Honda 5.5Hp GX200

STOCK LOCATIONS    



24"/60cm | GX500
For Warehouses, Malls & Light Industry




Order #	GD5005
RUN TIME	122min
WEIGHT	137lbs/62kg
DIMS (h/w/d)	32/19/27 / 810/740/680 mm
NOISE	96.3dB
MOTOR	Honda 8.5Hp GX270

STOCK LOCATIONS   



28"/70cm | GX600
Ideal for Large Commercial Structures

Order #	GJ5005
RUN TIME	40min
WEIGHT	175lbs/79kg
DIMS (h/w/d)	34/35/30 / 860/880/770 mm
NOISE	96.5dB
MOTOR	Vanguard V-Twin OHV 18Hp

STOCK LOCATIONS   

SMOKE REMOVAL

Euramco Safety Worldwide – Terms of Warranty Applicable

This warranty document becomes effective April 1, 2012. If a product was purchased subsequent to this date the terms of this warranty apply. This warranty will cease to be applicable upon issuance of a new warranty. The warranty in affect at the time of purchase will be the warranty used to determine the rights of the purchaser.

General Warranty

Euramco Safety warrants products against defects in material and workmanship from the date of original purchase for the period indicated by product line/type.

RAMFAN blowers and blower accessories	12 Months
GX-Series Turboventilators (Export)	24 Months
Inline Heating & Mistig Accessories	12 Months

Exceptions: Wear items are not warranted after the product is put into use. Such items include but are not limited to feet, fasteners, grips, handles, wheels, paint, finish and labeling. Duct is not warranted after the product is put into use due to its intended use and purpose. Honda engines are warranted directly by Honda. Euramco Safety can assist you in obtaining this service if necessary. Warranty is void if a product is operated on inappropriate voltage or frequency and/ or if a product is operated or used in a manner for which it was not intended, or if the product is operated without lubrication, proper fuel or in a manner not covered in the engine or blower documentation.

GX-Series Warranty – U.S. Market Only

RAMFAN GX-Series Turboventilators including GX200, GX350, GX400, GX500, GX600	36 Months – 500 hours
---	-----------------------

Euramco Safety warrants these products against defects in material and workmanship from the date of original purchase for the time period indicated or the hours of running time reached, whichever occurs first. This is the warranty period. Should a defect occur within the first 90 days from the original purchase date, the unit will be replaced with a “new” unit upon verification of the defect. Subsequently, and up to the completion of the warranty period, the unit may be replaced from a pool of “like new” units, that may have service hours on the replacement unit. The customer will receive an hour credit for the unused hours on the original unit. Time of warranty will stay from the original purchase date adjusted by one month for inconvenience. Should an hour meter failure occur and the hours in service lost, the warranty time period will prevail. Tampering or altering of the hourmeter will null the warranty. All items are warranted except as noted.

Exceptions: Wear items are not warranted after the product is put into service. Such items include but are not limited to feet, fasteners, grips, handles, wheels, paint, finish and labeling. Warranty is void if a product is operated or used in a manner for which it was not intended, or if the product is operated without lubrication, proper fuel or in a manner not covered in the engine or blower documentation.





SMOKE REMOVAL



VX700 LSV Large Structure Ventilator

Performance You Want at the Price You Need



When you need to rapidly cool and clear a large amount of air, you need the VX700 from RAMFAN: the most versatile, most powerful, and most affordable heavy duty PPV fan on the market.

28" / 70cm | VX700 LSV Very High Volume Gasoline Powered PPV Fan

- Designed for high-rises, malls, apartments, warehouses and other large-scale structures
- Built-in skids, optional trailer
- *PowerStream™* ventilation provides setback distance of 20–32' from door!
- Fan tilt angle of -5° to +18°
- Powerful Honda V-Twin GX630 engine with oil alert protection, electric start, 12VDC system with 17A alternator
- Overhead floodlight
- Hour Meter tracks maintenance schedules
- 4 Gallon/15 Liter EPA & CARB certified fuel tank for 2.5 hours of run time
- Battery Indicator displays charge level
- Remote tow vehicle battery charging feature
- Hour Meter tracks maintenance schedules
- Integral 8-nozzle water mister with three nozzle size options ranging from 1.28–9.5 Gallon/4.8–36 Liter per minute!
- Hose fittings provide adaptability for a spectrum of female-male size conversions



POWERED by
HONDA™

MODEL	VX700	VX700 w/ Trailer	VX700 w/ Trailer
Order #	GK5000 (Skid Mounted)	GK5005 (Trailer Mounted)	GK5010 (Trailer Mounted)
STOCK LOCATIONS	  		
PPV AIRFLOW	46,700–60,200cfm 79,390–105,400m ³ /hr	46,700–60,200cfm 79,390–105,400m ³ /hr	79,390–105,400m ³ /hr
WEIGHT	220lbs/100kg	920lbs	420kg
DIMENSIONS (h/w/d)	49/33.3/47.3 in 1,240/850/1,200 mm	79.75/58/124 in	2,046/1,520/3,204 mm
MOTOR	Honda GX630 23Hp/17kW	Honda GX630 23Hp/17kW	Honda GX630 23Hp/17kW



Big buildings need big guns. Gear up right

Is YOUR Department Ready for a Highrise Evacuation Emergency?

With RAMFAN's BASE-BOOSTER™ System, it will be.

The BASE fan with RAMFAN'S *PowerStream*™ technology rapidly cools a pressurized stairway, and BOOSTERS direct the airstream up and out of the top vent so occupants can escape and you can move in quickly.

It's relatively simple, but requires RAMFAN products:

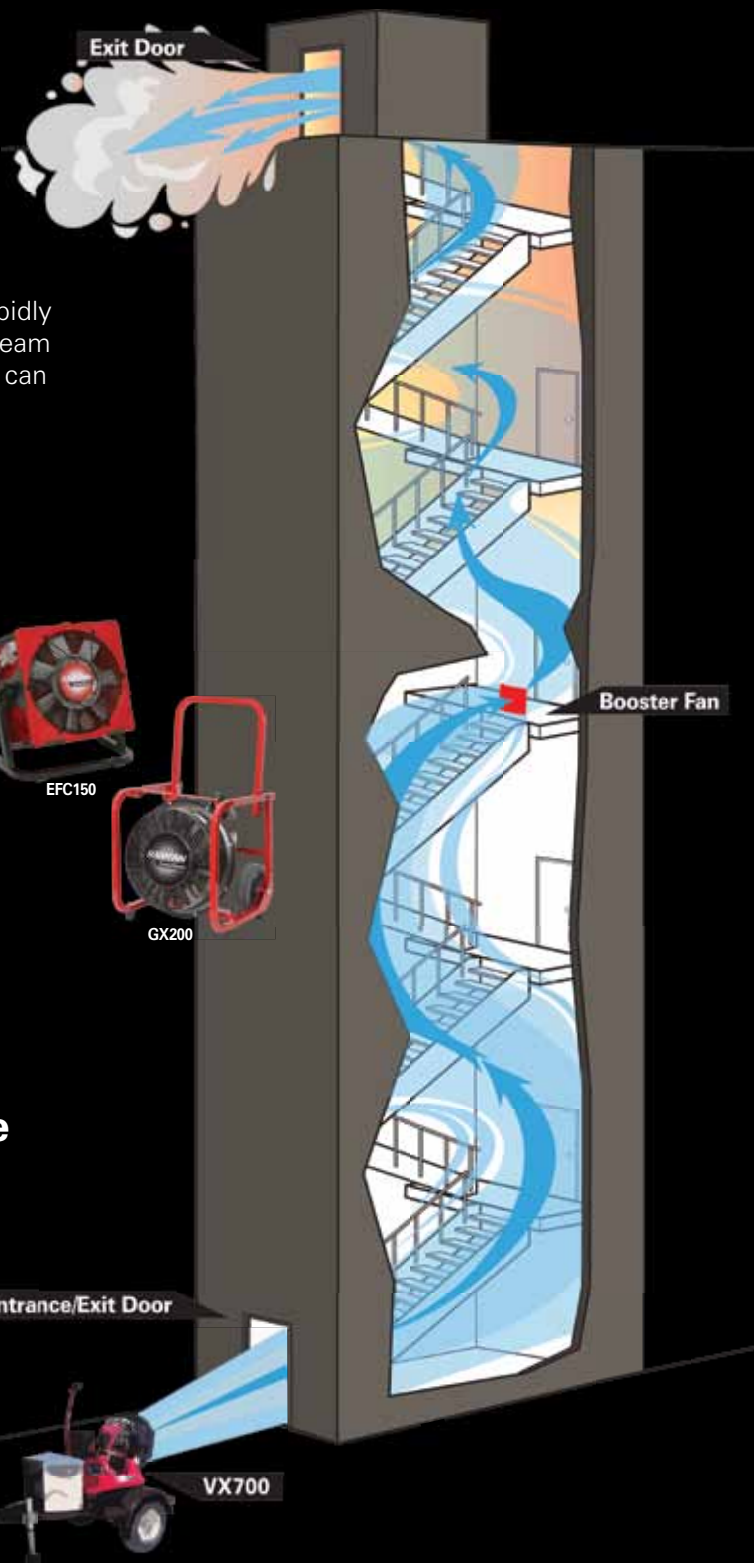
- Our EFC150 electric BOOSTER with our tilt frame accessory gives you 360° to direct an airstream.
- Our GX200 gas BOOSTER for rapid response is only 50 lbs, emits less CO, and doesn't require bulky power cords dragged up multiple floors. (360° tilt frame accessory unavailable on the GX200. Max tilt 20°).
- The most effective BASE fan is our new VX700, the big job blower priced to fit within the budget of almost ANY department.

Larger buildings may require more booster fans.

Why Use RAMFAN's Rapid Response BASE-BOOSTER System?

Because **Every** Second You Can Save is a Second You Can Save a Life.

EFC150 shown with 360° tilt accessory sold separately.



for the fight with RAMFAN's VX700.

SMOKE REMOVAL




PPV: GAS

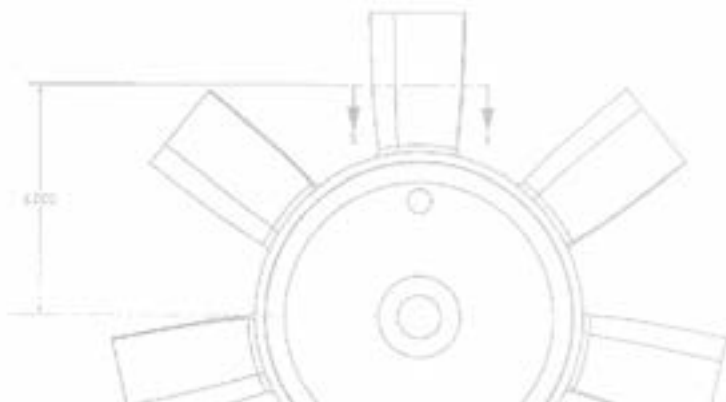
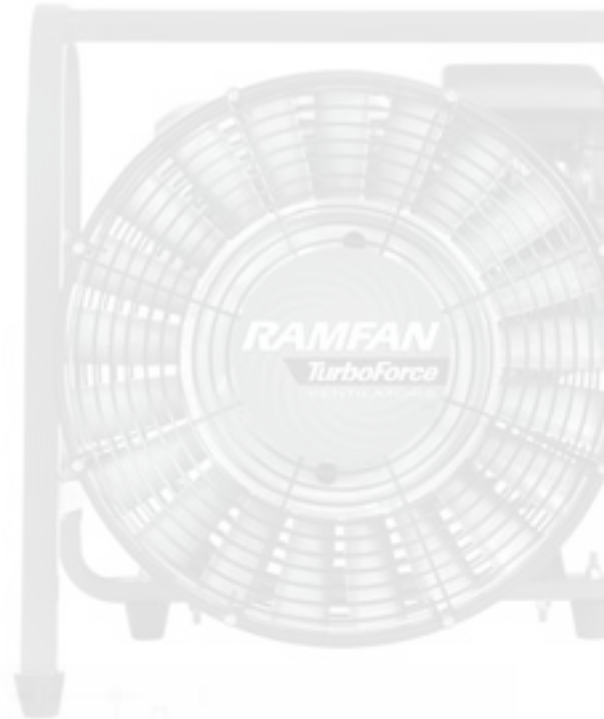


16"/40cm | GF164SE Turbo Blower

- 21-blade polymer TurboForce™ impeller for increased shatter resistance and enhanced PPV performance (not shown in picture).
- Economical choice for outstanding PPV ventilation
- 1"/25mm powder coated steel frame
- 5-position rapid tilt feature for fast, easy set-up
- Compact and lightweight for easy lifting and storage

Optional Accessories: Cooling Collar, BIGbore™ Exhaust Diverter, 16" Multi-purpose Accessory Pack

MODEL	GF164SE
Order #	GB5001HSE
STOCK LOCATIONS	  
PPV AIRFLOW	11,653cfm/19,810m ³ /hr
RUN TIME	58min
WEIGHT	59lbs/27kg
DIMENSIONS (h/w/d)	21/20/17 in 533/508/432 mm
NOISE	96.1dB
MOTOR	Honda 4.6Hp/3.4kW GC Series





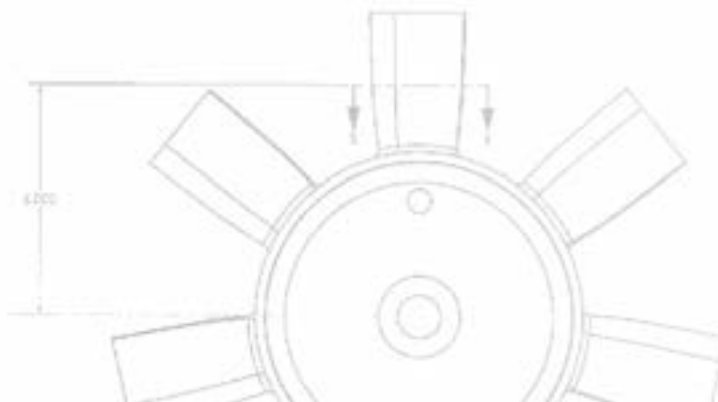
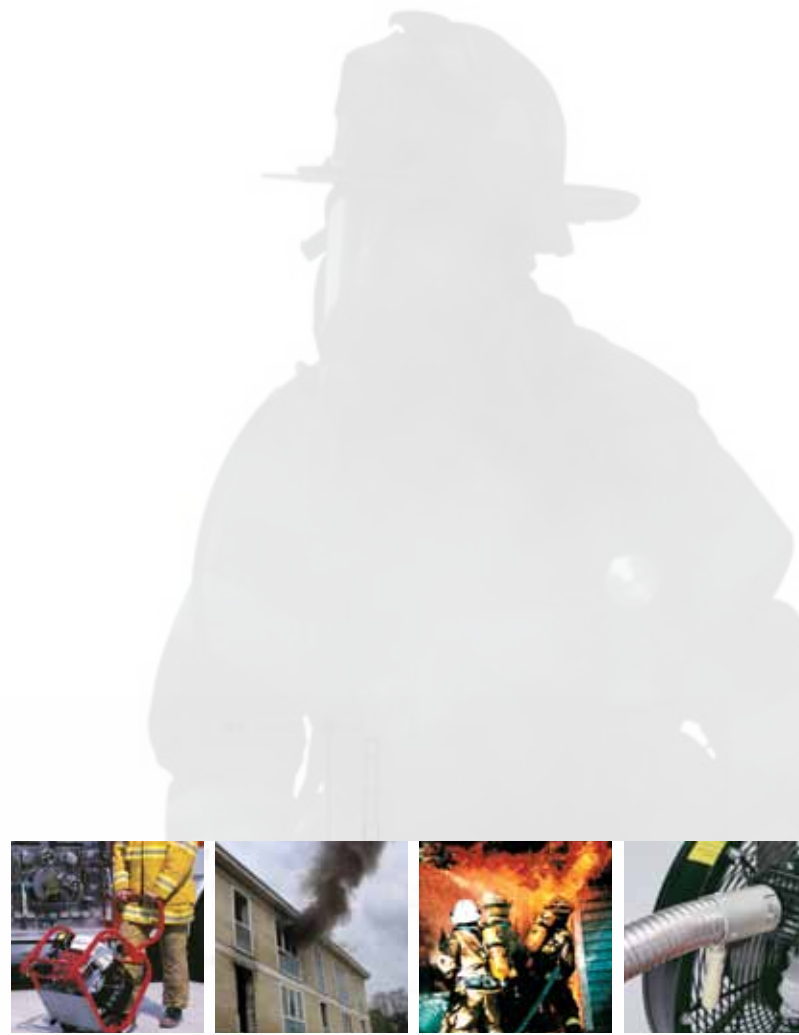


16"/40cm | GF165 Turbo Blower

- 21-blade polymer TurboForce™ impeller for increased shatter resistance and enhanced PPV performance.
- Compact design fits fire truck compartments
- 1"/25mm powder coated steel full-perimeter frame
- ONEstep™ tilt feature for fast, easy set-up
- Full-width folding handle for easy maneuvering
- Honda GX-series engine with oil alert
- Optional integrated misting system available

Optional Accessories: Cooling Collar, BIGbore™ Exhaust Diverter, 16" Multi-purpose Accessory Pack

MODEL	GF165
Order #	GA5006
STOCK LOCATIONS	 
PPV AIRFLOW	12,906cfm/21,940m ³ /hr
RUN TIME	126min
WEIGHT	84lbs/38kg
DIMENSIONS (h/w/d)	22/20.2/20 in 559/513/508 mm
NOISE	96.2dB
MOTOR	Honda GX160 4.8Hp/3.5kW



SMOKE REMOVAL

PPV: GAS

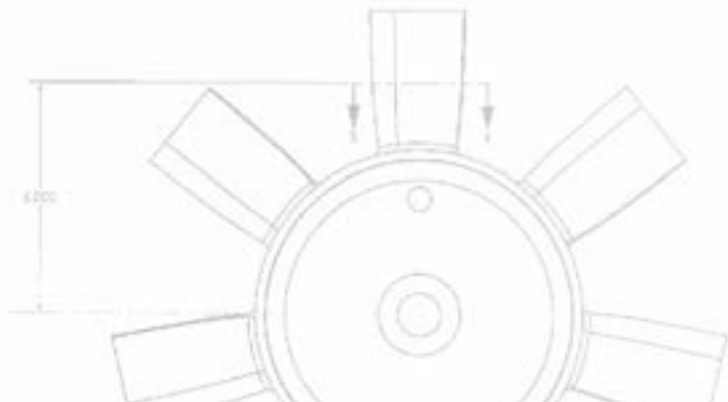
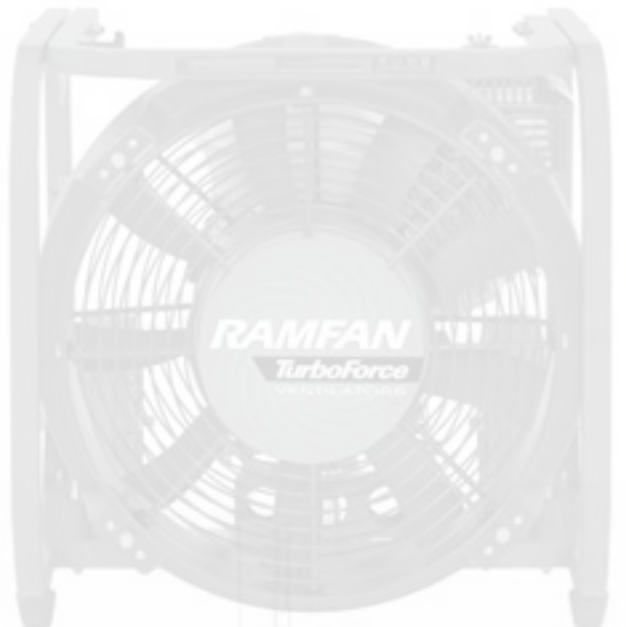


18"/ 46cm | GF185 Turbo Blower

- 9-blade polymer TurboForce™ impeller for increased shatter resistance and enhanced PPV performance.
- Compact design fits fire truck compartments
- 1"/25mm powder coated steel full-perimeter frame
- ONEstep™ tilt feature for fast, easy set-up
- Full-width folding handle for easy maneuvering
- Honda GX-series engine with oil alert
- Optional integrated misting system available

Optional Accessories: Cooling Collar, BIGbore™ Exhaust Diverter

MODEL	GF185
Order #	GH5510
STOCK LOCATIONS	
PPV AIRFLOW	13,986cfm/23,776m³/hr
RUN TIME	126min
WEIGHT	87lbs/39kg
DIMENSIONS (h/w/d)	21.7/21.8/19.8 in 550/560/510 mm
NOISE	95.2dB
MOTOR	Honda GX160 4.8Hp/3.5kW

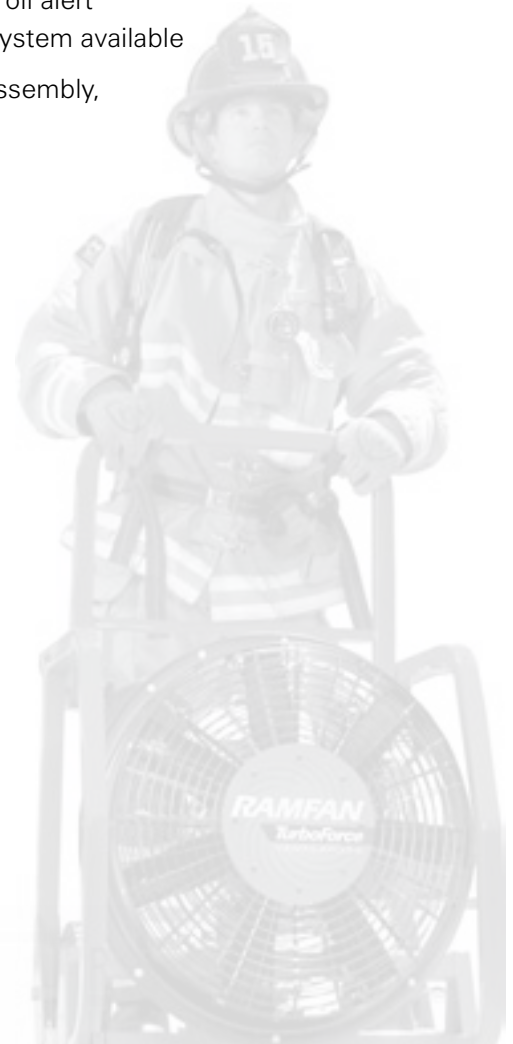







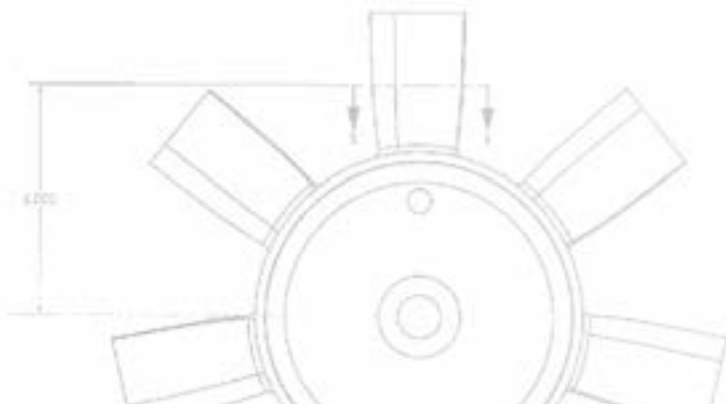
21"/54cm | GF210 High Volume Turbo Blower

- 7-blade polymer TurboForce™ impeller for increased shatter resistance and enhanced PPV performance.
- Designed for larger structures
- 1 1/4"/32mm powder coated steel frame with heavy duty wheels
- ONE-STEP™ tilt adjustment for fast, easy set-up
- Full-width folding handle for easy maneuvering
- Honda GX-series engine with oil alert
- Optional integrated misting system available

Optional Accessories: Mister Assembly, BIGbore™ Exhaust Diverter



MODEL	GF210
Order #	GE5001
STOCK LOCATIONS	  
PPV AIRFLOW	17,670cfm/30,039m3/hr
RUN TIME	126min
WEIGHT	88lbs/40kg
DIMENSIONS (h/w/d)	24.8/25.3/22.4 in 630/643/569mm
NOISE	96.1dB
MOTOR	Honda GX160 4.8Hp/3.5kW



SMOKE REMOVAL

A photograph of firefighters at a scene with smoke. In the foreground, three firefighters are visible from the back. They are wearing brown turnout gear with reflective yellow-green stripes. The firefighter on the right has a large air cylinder on their back. The firefighter in the middle has "CHIE" visible on their back. The firefighter on the left is wearing a red and yellow helmet. In the background, there is a large plume of white smoke rising from a structure. A yellow banner with black text is overlaid across the middle of the image.

FIRE LINE DO NOT CROSS



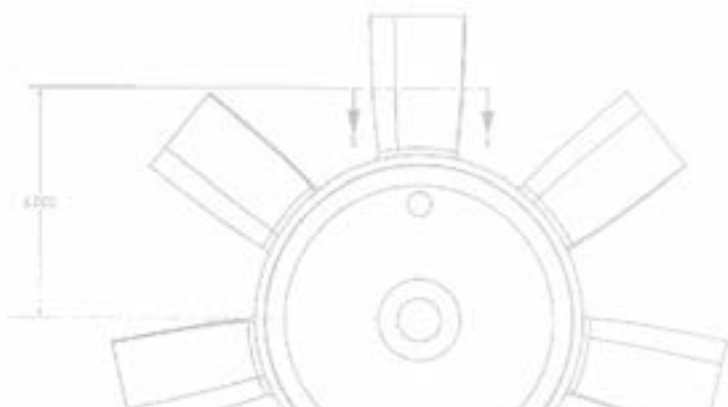
16"/ 40cm | EX400/EX420 Variable Speed Turbo Blower

- IntelliSense™ water-resistant variable speed controls deliver continuous airflow adjustment from zero to maximum speed.
- Model EX400 with dual current feature. With the flip of a toggle switch, power fan from GFCI 20A fire truck circuit to GFCI 15A house circuit or start from 2kW generator by controlling in-rush current.
- 7-blade polymer TurboForce™ impeller for increased shatter resistance and enhanced PPV performance.
- Equipped with *PowerStream*™ to support greater setback distances reducing the noise level inside the building and allows the entry/exit to keep clear of obstructions for advancing firefighters.
- 1"/25mm powder coated steel frame with all-terrain semi-pneumatic tires
- Full-width retractable handle for upright, push/pull operation
- 0–20° tilt adjustment for fast, easy set-up

Optional Accessories: Standard Duct, Disposable Duct, Layflat Duct, Duct Carrying Bags

MODEL	EX400		EX420	
Order #	EB80600		EB88245	
STOCK LOCATIONS	🇺🇸			
PPV AIRFLOW	4–8 ft setback	10,618–11,391cfm	4–8 ft setback	10,618–11,391cfm
	1.2–2.4m setback	18,051–19,365m³/hr	1.2–2.4m setback	18,051–19,365m³/hr
DUCT ADAPTER(S)	1		1	
WEIGHT	68lbs/31kg		68lbs/31kg	
DIMENSIONS (h/w/d)	22.5/17/18.6 in 572/432/472 mm		22.5/17/18.6 in 572/432/472 mm	
NOISE	97dB		97dB	
MOTOR	1.5Hp/1.1kW		1.5Hp/1.1kW	
ELECTRIC	115V, 1ø, 15 or 20A, 60Hz		240V, 1ø, 10A, 50/60Hz	

DUAL CURRENT



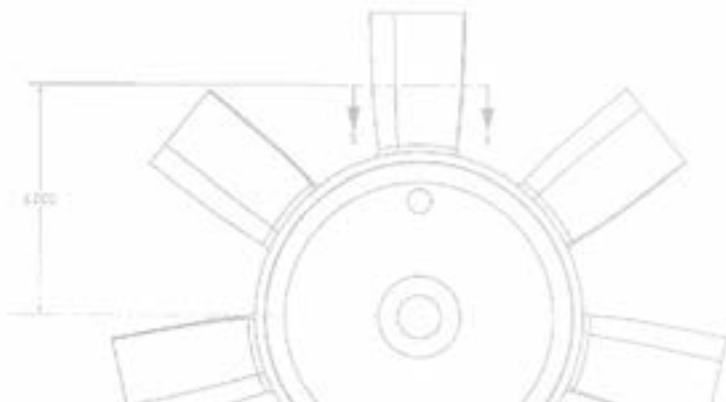


21"/ 53cm | EX600/EX620 Variable Speed Turbo Blower

- IntelliSense™ water-resistant variable speed controls deliver continuous airflow adjustment from zero to maximum speed.
- Model EX600 with dual current feature. With the flip of a toggle switch, power fan from GFCI 20A fire truck circuit to GFCI 15A house circuit or start from 2kW generator by controlling in-rush current.
- 3-blade polymer TurboForce™ impeller for increased shatter resistance and enhanced PPV performance.
- Equipped with *PowerStream*™ to support greater setback distances reducing the noise level inside the building and allowing the entry/exit to keep clear of obstructions for advancing firefighters
- 1"/25mm powder coated steel frame with all-terrain semi-pneumatic tires
- Full-width retractable handle for upright, push/pull operation
- 0–20° tilt adjustment for fast, easy set-up

DUAL CURRENT

MODEL	EX600	EX620
Order #	EB90600	EB99516
STOCK LOCATIONS		
PPV AIRFLOW	8–12 ft setback 10,818–12,436cfm 2.4–3.7m setback 18,391–21,141m³/hr	8–12 ft setback 10,818–12,436cfm 2.4–3.7m setback 18,391–21,141m³/hr
DUCT ADAPTER(S)	1	1
WEIGHT	71lbs/32kg	68lbs/31kg
DIMENSIONS (h/w/d)	25.3/24/18 in 641/613/460 mm	22.5/17/18.6 in 572/432/472 mm
NOISE	97dB	97dB
MOTOR	1.5Hp/1.1kW	1.5Hp/1.1kW
ELECTRIC	115V, 1ø, 15 or 20A, 60Hz	240V, 1ø, 10A, 50/60Hz



21"/ 53cm | XP600 Explosion Proof Ventilator

- ATEX certified motor is completely enclosed for safe use in dangerous atmospheres
- Purges hazardous or explosive gases safely
- 3-Blade polymer TurboForce™ impeller for increased shatter resistance and enhanced PPV performance
- Equipped with *PowerStream*™ to support greater setback distances reducing the noise level inside the building and allowing the entry/exit to keep clear of obstructions for advancing firefighters
- 1"/25mm powder coated steel frame with all-terrain semi-pneumatic tires
- Full width retractable handle for upright, push/pull operation
- 0–20° tilt adjustment for fast, easy set-up



MODEL	XP600	XP600
Order #	EB90500X	EB90500X-230
STOCK LOCATIONS		
PPV AIRFLOW	8–12 ft setback 10,818–11,061cfm 2.4–3.7m setback 18,391–18,804m³/hr	8–12 ft setback 10,818–11,061cfm 2.4–3.7m setback 18,391–18,804m³/hr
DUCT ADAPTER(S)	1	1
WEIGHT	71lbs/32kg	71lbs/32kg
DIMENSIONS (h/w/d)	25.3/24/18 in 640/610/460 mm	22.5/17/18.6 in 572/432/472 mm
NOISE	97dB	97dB
MOTOR	1.5Hp/1.1kW	1.5Hp/1.1kW
ELECTRIC	115V, 1ø, 50/60Hz	230V, 1ø, 50/60Hz
AMPS	115V: 80A 115V: 15A	230V: 40A 230V: 8A
MOTOR CERTIFICATION	II 2 G Ex d IIB Gb	II 2 G Ex d IIB Gb



SMOKE REMOVAL



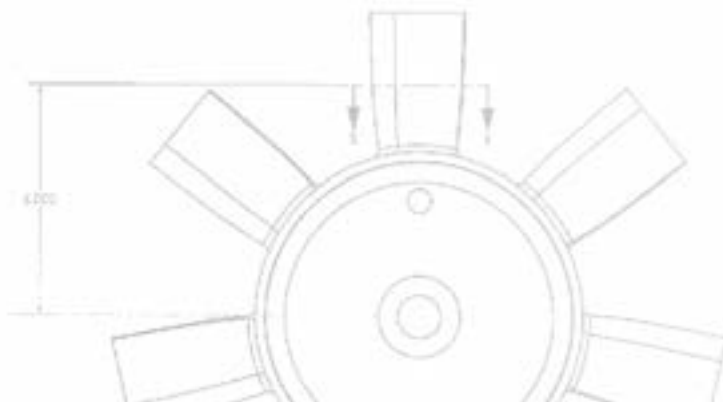
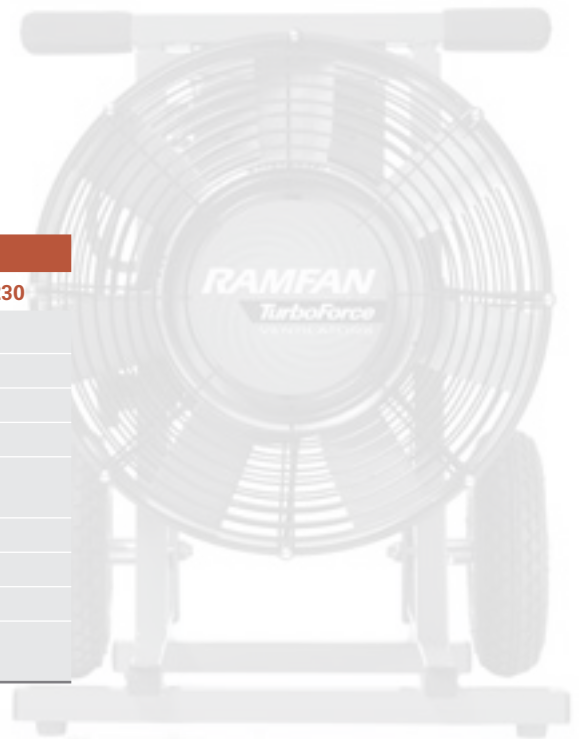


16"/40cm | EF390H/EF400 Turbo Ventilators

- 7-blade polymer TurboForce™ impeller for increased shatter resistance and enhanced PPV performance.
- EF400 1.5Hp/1.1kW Motor starts easily on small generators (8kW), long cord reels and most 20A circuits
- 1"/25mm powder coated steel frame with heavy-duty wheels
- Full-width retractable handle for upright, push/pull operation
- 0–20° tilt adjustment for fast, easy set-up
- Wide selection of plugs available – see page 48

Optional Accessories: Standard Duct, Disposable Duct, Layflat Duct, Duct Carrying Bags, Mister Assembly, Cooling Collar, 16" Multi-purpose Accessory Pack

MODEL	EF390H	EF400
Order #	EA5403	EB8000 (115V)/EB8000-230
STOCK LOCATIONS		
PPV AIRFLOW	11,765cfm/20,001m³/hr	9,408cfm/15,993m³/hr
DUCT ADAPTER(S)	1	1
WEIGHT	78lbs/35kg	74lbs/34kg
DIMENSIONS (h/w/d)	23/17.5/18.5 in 580/444/470 mm	23/17.5/18.5 in 580/444/470 mm
NOISE	95.1dB	97dB
MOTOR	2.2Hp/1.7kW	1.5Hp/1.1kW
ELECTRIC	230VAC, 1ø, 50Hz	115/230VAC, 1ø, 50/60Hz
AMPS – START	36A	115V: 75A 230V: 32A
– RUN	12A	115V: 15A 230V: 8A



SMOKE REMOVAL

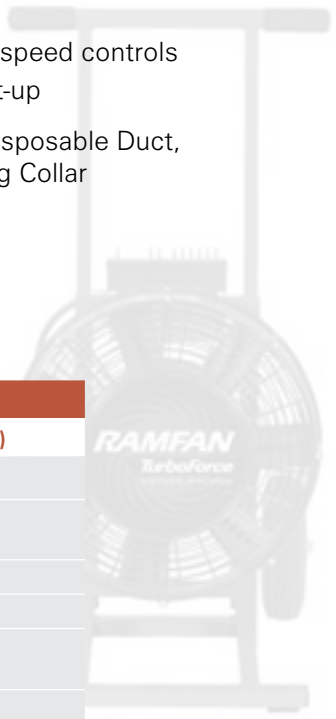







16"/40cm | EV400/EV420 Variable Speed Turbo Blower

- 7-blade polymer TurboForce™ impeller for increased shatter resistance and enhanced PPV performance.
- Model EV400 with dual current feature. With the flip of a toggle switch, power fan from GFCI 20A fire truck circuit or GFCI 15A house circuit
- All models can start from 2kW generator by controlling in-rush current
- 1"/25mm powder coated steel frame with all-terrain pneumatic tires
- Full-width retractable handle for upright, push/pull operation
- Continuous airflow adjustment from 1,000cfm/1,699m³/hr to 11,391cfm/19,365m³/hr
- IntelliSense™ water-resistant variable speed controls
- 0–20° tilt adjustment for fast, easy set-up

Optional Accessories: Standard Duct, Disposable Duct, Layflat Duct, Duct Carrying Bags, Cooling Collar

DUAL CURRENT



MODEL	EV400	EV420
Order #	EB80500* (115V), EB80501 (CE)	EB80510 (220V), EB81505 (CE)
STOCK LOCATIONS	 	  
PPV AIRFLOW	15A: 9,184cfm/15,613m ³ /hr 20A: 11,391cfm/19,365m ³ /hr	10A: 10,084cfm/17,143m ³ /hr
DUCT ADAPTER(S)	1	1
WEIGHT	68lbs/31kg	68lbs/31kg
DIMENSIONS (h/w/d)	23/17.5/18.5 in 580/444/470 mm	23/17.5/18.5 in 580/444/470 mm
NOISE	97dB	97dB
MOTOR	1.5Hp/1.1kW	1.5Hp/1.1kW
ELECTRIC	EB80500: 115VAC, 1ø, 15 or 20A , 60Hz EB80501: 110VAC, 1ø, 16A , 50Hz	EB80510: 220VAC, 1ø, 10A, 60Hz EB81505: 240VAC, 1ø, 10A, 50Hz

“The electric RAMFAN is so good it has exceeded our expectations. We compared it with others and found there was no comparison.”

Battalion Chief Chris Cilia
San Mateo, CA Fire Department










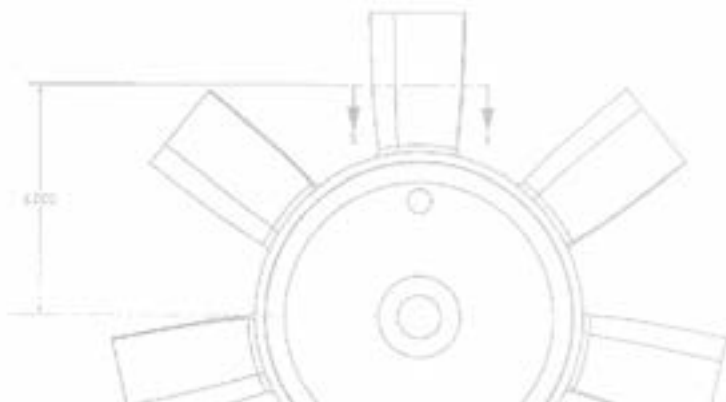
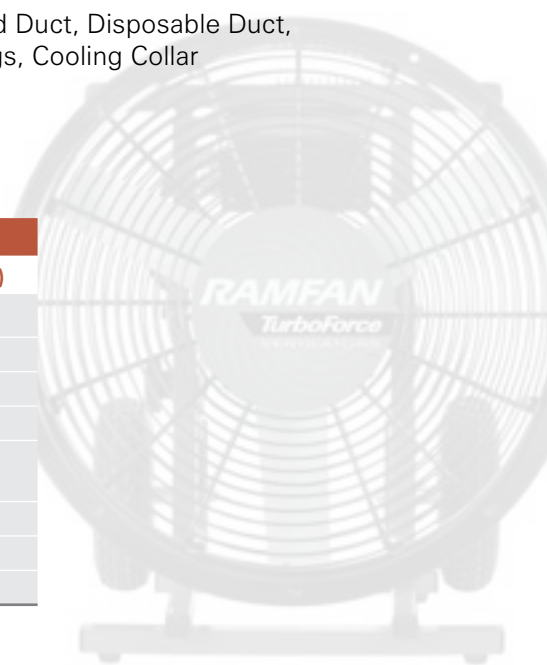
21"/53cm | EV600/EV620 Variable Speed Turbo Blower

- 3-blade polymer TurboForce™ impeller for increased shatter resistance and enhanced PPV performance.
- Model EV600 with dual current feature. With the flip of a toggle switch, power fan from GFCI 20A fire truck circuit or GFCI 15A house circuit
- All models can start from 2kW generator by controlling in-rush current
- 1"/25mm powder coated steel frame with all-terrain pneumatic tires
- Full-width retractable handle for upright, push/pull operation
- Continuous airflow adjustment from 1,000cfm/1,699m³/hr to 11,061cfm/18,804m³/hr
- IntelliSense™ water-resistant variable speed controls
- 0-20° tilt adjustment for fast, easy set-up

Optional Accessories: Standard Duct, Disposable Duct, Layflat Duct, Duct Carrying Bags, Cooling Collar

DUAL CURRENT

MODEL	EV600	EV620
Order #	EB90500	EB90510 (220V), EB91505 (CE)
STOCK LOCATIONS	 	  
PPV AIRFLOW	11,061cfm/18,804m ³ /hr	10,818cfm/18,391m ³ /hr
DUCT ADAPTER(S)	1	1
WEIGHT	71lbs/32.2kg	71lbs/32.2kg
DIMENSIONS (h/w/d)	25.3/24/18 in 641/613/460 mm	25.3/24/18 in 641/613/460 mm
NOISE	97dB	97dB
MOTOR	1.5Hp/1.1kW	1.5Hp/1.1kW
ELECTRIC	115VAC, 1ø, 15 or 20A, 60Hz	220VAC, 1ø, 10A, 50/60Hz



Water Powered Turbo Blowers

First Choice of Naval Forces Worldwide

RAMFAN Water Powered Turbo Blowers are used by Naval Forces worldwide for smoke removal, ventilation and cooling during combat operations.

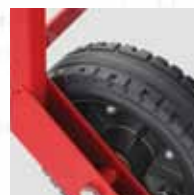
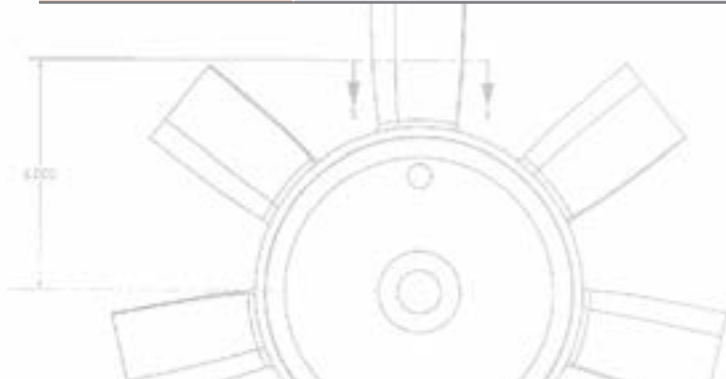
21"/54cm | WF540 Solution to High Rise Underground and Warehouse Ventilation

- Water powered, intrinsically safe
- 6-blade polymer TurboForce™ impeller for increased shatter resistance and enhanced PPV performance.
- Water control valve provides direct control of airflow at blower
- Outlet for water recycling (closed circuit) to conserve water supply
- Wide range tilt adjustment
- Powder coated steel frame with full-width folding handle
- Equipped with *PowerStream*™ to support greater setback distances reducing the noise level inside the building and allows the entry/exit to keep clear of obstructions for advancing firefighters.
- Integral misting system

Optional Accessories: Many water connection fittings and ducting configurations available. Call for details.



MODEL	WF540	
Order #	WD5010	
STOCK LOCATIONS		
PPV AIRFLOW	22,443cfm@150psi 38,154m³/hr@0.8MPa	
DUCT ADAPTER(S)	0	
WEIGHT	75lbs/34kg	
DIMENSIONS (h/w/d)	25.6/24.8/20.9 in 650/630/530 mm	
MOTOR	5.2Hp@150psi 6kW@1.75MPa	
PRESSURE/FLOW	Nominal: 0.8MPa/471lpm	116psi/124gpm
	Max: 250psi/70gpm	250psi/221gpm



Safer...

RAMFAN's water powered design eliminates the threat of electrical shock and minimizes explosion potential in dangerous gas environments.

More Efficient..

RAMFAN's patented Axial Flow Turbine Technology leads the way in converting water power into high velocity airflow more efficiently than any water fan on the market today.

Better...




RAMFAN's axial turbine is built of corrosion-proof composite materials for long life, simple maintenance and easy replacement of parts.

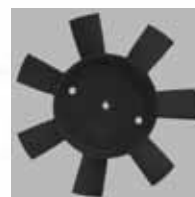
16"/40cm | WF390L High Volume PPV Blower

- Water powered, intrinsically safe
- 7-blade polymer TurboForce™ impeller for increased shatter resistance and enhanced PPV performance.
- Outlet for water recycling (closed circuit) to conserve water supply
- Wide range tilt adjustment
- Powder coated steel frame
- Equipped with *PowerStream™* to support greater setback distances reducing the noise level inside the building and allows the entry/exit to keep clear of obstructions for advancing firefighters.
- Lightweight, easy to maneuver
- Optional mister attachment
- Full-width retractable handle and heavy-duty wheels for upright, push-pull operation

Optional Accessories: Many water connection fittings and ducting configurations available. Call for details.



MODEL	WF390L	
Order #	WB5001LB (BSP)/WB5001LNH (NH)/WB5001DIN	
STOCK LOCATIONS	  	
PPV AIRFLOW	17,417cfm@150psi 29,610m³/hr@1.0MPa	
DUCT ADAPTER(S)	1	
WEIGHT	60lbs/27kg	
DIMENSIONS (h/w/d)	22.8/16.9/16 in 580/430/410 mm	
MOTOR	10Hp@250psi 7.5kW@1.75MPa	
PRESSURE/FLOW	Nominal: 150psi/96gpm 0.8MPa/362lpm Max: 250psi/162gpm 1.75MPa/612lpm	

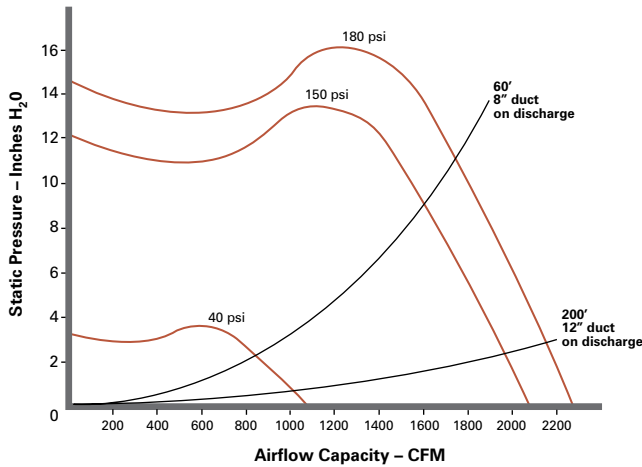


SMOKE REMOVAL

8"/20cm | WF20 Water Powered PPV Turbo Blower

- Standard for U.S. Navy, Royal Navy, French, ANZAC, others
- Operates from the fire mains and overboard drainage
- 4.6Hp @ 150psi water pressure
- Intrinsically safe, non-electrical
- Dual purpose: Ducted and PPV-mist cooling

WF20 Performance



WF20 - Ducted

Water/air couplings to customer specifications



French

British

USA

SPECIFICATIONS

Order #	WA5001BSP/WA5001NH/ WA5001N(NPSH)
DUCTED AIR FLOW @ 150psi	1,835cfm/3,120m ³ /hr
WEIGHT	35lbs/15.9kg
DIMENSIONS (h/w/d)	16/12/12 in 400/310/310 mm
POWER	4.6Hp/3.4kW @150psi 8Hp/6kW @250psi
PRESSURE/FLOW	Min: 40psi/29gpm Max: 250psi/94gpm
CONNECTIONS	1.5"/3.8cm NST (NH), NPSH, or BSP male connections
CERTIFICATIONS	U.S. Navy Test Report

DUCTING ACCESSORIES

Description	Order #
Duct – Neoprene Coated US Navy Standard (10"x15')/(25cmx4.6m)	DT-1015DVI-3
Duct – Neoprene Coated US Navy Standard, long (10"x25')/ (25cmx7.6m)	DT-1025DVI-3
Wire Reinforced Duct w/ storage bag AFNOR DN 300 cplgs (30cmx5m)	WA0721
Duct Adapter, 10"/25cm with Snap-Lock – 2 required/blower	WA0411
Duct Adapter, 12"/30cm for use with belted duct – 2 required/blower	WA0511
Duct Adapters (2 included) AFNOR DN 300 Type M (French Norm)	WA0711
Kit – U.S. Navy version Blower w/ (4) Duct (DT-1015DVI-3) & (2)10" adapters	4140-01-333-2224

The Safest and Most Powerful Portable Ventilator in the World

No portable blower in the world compares with the smoke removal rates of the WF20 connected to ducting from 8" to 12". Warships at general quarters require powerful suction to remove smoke from interior spaces. The WF20 suctions the smoke from the affected areas through long lengths of ducting to the outside air. At normal fire main pressures of 125 to 150psi, the WF20 makes about 4.5Hp with a 50gpm flow rate.

The WF20 blower uses the water pressure energy of a fire hose and a patented turbine, coupled to a high-efficiency fan blade, to generate high-velocity, high-pressure airflows. The modular construction, choice of corrosion-resistant materials and simplicity assures infrequent and simple maintenance.

Exhaustive testing during U.S. Navy evaluations left the WF20 as the uncontested champion of shipboard de-smoking.

Add the Multiplier/Mister



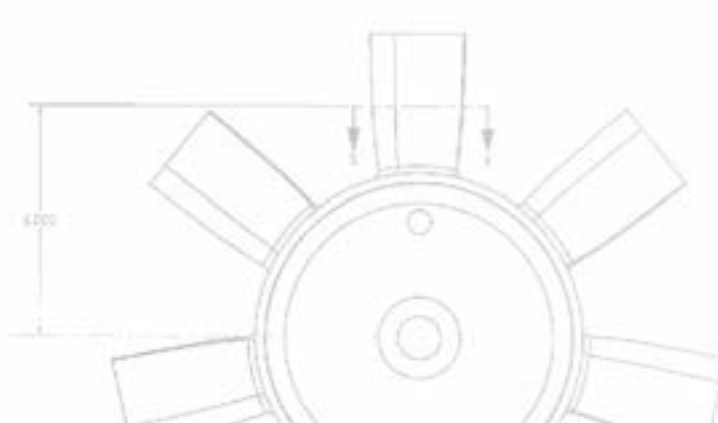
WF20 - Multiplier/
Mister - PPV

- Venturi device doubles airflow
- Injects 3.5 gpm of water into airflow
- Use as PPV blower
- Intrinsically safe in hazardous conditions

The Multiplier/Mister Attachment injects up to 3.5 gpm into the airstream producing a cooling mist. This has proven beneficial in creating heat migration boundaries, cooling of personnel and even catapults and aircraft wheels.

PPV AIRFLOW	
FREE AIR @ 150psi	13,125cfm/22,313m ³ /hr
FREE AIR @ 250psi	16,511cfm/28,069m ³ /hr

MULTIPLIER/MISTER ACCESSORIES	
Description	Order #
Multiplier/Mister	WA0802
AFNOR Multiplier/Mister w/ ZAG Adapter AFNOR DN 300 Type M (French)	WA0711
Strainer Adapter for use with BIC, Guillemin and Storz Couplings	WA2810
Multiplier/Mister ZAG Adapter AFNOR DN 300 Type M (French Norm)	ZAGAY-2



SMOKE REMOVAL









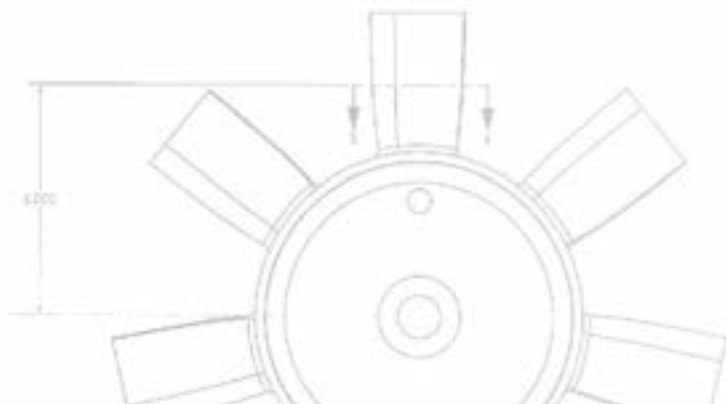
EFC50

16"/40cm | EFC50/EFC120/EFC150 Smoke Ejectors

- New polymer TurboForce™ impeller for increased shatter resistance and enhanced performance
- Built for smoke ejection in confined spaces
- High velocity flow decreases smoke ejection time dramatically
- High-impact, heat resistant Lexan® polycarbonate housing with 4-corner handles for fast set-up and storage
- Lightweight, compact design stacks easily
- Optional tilt accessory available – see page 47
- Plug sold separately – see page 48 for plug options

Optional Accessories: Standard Duct, Layflat Duct, Duct Adapters, Duct Carrying Bags, 16" Multi-Purpose Accessory Pack, Door Bar and Hanger Kit

MODEL	EFC50	EFC120 (50Hz)	EFC150
Order #	EA7000, EA7000-230	EA7300	EG8000, EG8000-230
STOCK LOCATIONS	 		
FREE AIR 15ft/4.6m 1-90° turn	3,200cfm/5,440m³/hr 1,935cfm/3,289.5m³/hr	3,750cfm/6,375m³/hr 2,700cfm/4,590m³/hr	4,459cfm/7,580.3m³/hr 3,179cfm/5,404.3m³/hr
IMPELLER	21-blade	7-blade	7-blade
DUCT ADAPTER(S)	0	2	0
WEIGHT	46lbs/21kg	53lbs/24kg	55lbs/25kg
DIMENSIONS (h/w/d)	19/18/12 in 483/457/305 mm	19/18/16 in 483/457/407 mm	19/18/12 in 483/457/305 mm
NOISE	90.2dB	86.1dB	90.2dB
MOTOR	0.5Hp/0.37kW	1.2Hp/0.9kW	1.5Hp/1.1kW
ELECTRIC	115/230VAC, 1ø, 50/60Hz	240VAC, 1ø, 50Hz	115/230VAC, 1ø, 50/60Hz
AMPS – START	115V: 21A 230V: 10A	27A	115V: 80A 230V: 40A
– RUN	115V: 6A 230V: 3A	5A	115V: 15A 230V: 8A



SMOKE REMOVAL



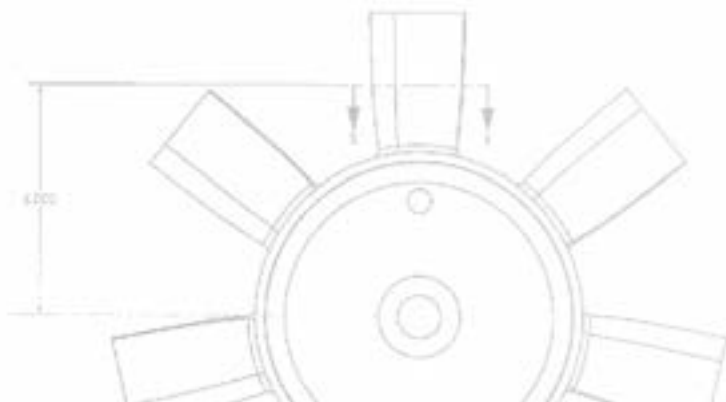
EFC120x

16"/40cm | EFC50x/EFC120x/EFC150x Intrinsically Safe Turbo Blowers

- UL and ATEX Certified Motors for safe use in adverse atmospheres
- High-impact, heat resistant Lexan® polycarbonate housing with 4-corner handles for fast set-up and storage
- Built for smoke ejection in hazardous conditions and confined spaces
- High velocity flow decreases de-smoking time dramatically
- Lightweight, compact design stacks easily
- Optional tilt accessory available – see page 47
- Plug sold separately – see page 48 for plug options

Optional Accessories: Anti-Static Duct, Layflat Duct, Duct Carrying Bags, 16" Multi-Purpose Accessory Pack, Door Bar and Hanger Kit

MODEL	EFC50x	EFC120x (50Hz)	EFC150x
Order #	EA7000X, EA7000X-230	EA7300X	EG8000X, EG8000X-230
STOCK LOCATIONS			
FREE AIR 15ft/4.6m 1-90° turn	3,200cfm/5,440m³/hr 1,935cfm/3,289.5m³/hr	3,750cfm/6,375m³/hr 2,700cfm/4,590m³/hr	4,459cfm/7,580m³/hr 3,179cfm/5,404m³/hr
IMPELLER	21-blade	7-blade	7-blade
DUCT ADAPTER(S)	0	2	2
WEIGHT	49lbs/22kg	51lbs/23kg	55lbs/25kg
DIMENSIONS (h/w/d)	19/18/12 in 483/457/305 mm	19/18/16 in 483/457/407 mm	19/18/16 in 483/457/407 mm
NOISE	90.2dB	86.1dB	90.2dB
MOTOR	0.5Hp/0.37kW	1.2Hp/0.9kW	1.5Hp/1.1kW
ELECTRIC	115/230VAC, 1ø, 50/60Hz	230VAC, 1ø, 50Hz	115/230VAC, 1ø, 50/60Hz
AMPS – START – RUN	115V: 21A 230V: 10A 115V: 6A 230V: 3A	27A 5A	115V: 80A 230V: 40A 115V: 15A 230V: 8A
MOTOR CERTIFICATION	UL Class I - Group D UL Class II - Group E,FG	ATEX II 2 G Ex d IIB Gb	UL Class I - Group D UL Class II - Group E,FG





ACCESSORIES

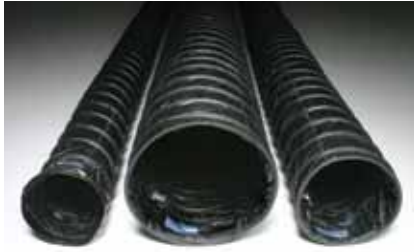


ACCESSORIES



Standard Duct – 15'/4.6m & 25'/7.6m

- ECKO-flex non-collapsible, reinforced duct
- 8"/20cm, 12"/30cm or 16"/40cm sizes
- Flame retardant
- IMPA codes available for ducting, please call to inquire



Anti-Static Duct – 15'/4.6m & 25'/7.6m

- Non-collapsible, reinforced duct
- Safely conducts electricity to the ground circuit of the blower
- Surface resistance less than 6 Gø
- 8"/20cm, 12"/30cm and 16"/40cm sizes
- Flame retardant
- IMPA codes available for ducting, please call to inquire



Disposable Duct – 100'/30.5m

- Disposable, layflat polyethylene duct
- No reinforcement, 4mil thick
- 12"/30cm and 16"/40cm sizes are sold by the foot



Layflat Duct 25'/7.6m

- Fiber reinforced, collapsible duct
- 12"/30cm or 16"/40cm sizes
- 16"/40cm duct available with a 90° elbow, 4'x10' Elbow Order No. FDT-L4X10SME



Cooling Collars/Misters – 16"/40cm Blowers

- Quickly cool and rehabilitate with a cooling collar
- Fits around duct adapter of blower injecting mist into airflow
- Designed for use with a garden hose
- Water output per hour is based on water pressure



16"/40cm Multi-Purpose Accessory Pack

- Multi-purpose solution for ventilation.
- Layflat storage bag includes:
 - 16"/40cm Cooling Collar
 - 16"/40cm Unreinforced Layflat Duct (25'/7.6m)
 - 16"/40cm 90° Unreinforced duct 4'/1.2m x 10'/3m



BIGbore™ Exhaust Diverter

- Diverts engine exhaust away from the work environment
- 2"/5cm diameter flexible, galvanized hose reduces engine backpressure
- Quick connect fittings meet DIN standards
- Additional hose available to extend exhaust diversion



Door Bar and Hanger Kit

- Suspend smoke ejector box fans in doorway or window for more efficient ventilation
- Compatible with all EFi and EFC-series fans



Tilt Accessory

- Provides full 360° rotation for ultimate freedom to direct air where you want
- Compatible with all EFi and EFC-series fans



Duct Carrying Bags

Order #	Includes
BG12	Storage Bag for 8"/20cm x 15'/4.6m or 25'/7.6m Duct and for 12"/30cm x 25'/7.6m Duct
BG12S	Storage Bag for 12"/30cm x 15'/4.6m Duct
BG16	Storage Bag for 16"/40cm Duct



Duct Couplers and Adapters/Reducers

Order #	Includes
DC8	8"/20cm Duct Coupler Stainless HD
DC12	12"/30cm Duct Coupler Stainless HD
DC16	16"/40cm Duct Coupler Stainless HD
ED0304	8"/20cm Inlet Duct Adapter for UB20
EF0304X	8"/20cm Anti-Static Inlet Duct Adapter for UB20xx
EC0301	12"/30cm to 8"/20cm Duct Adapter/Reducer
EA7106	16"/40cm Duct Adapter
















Misting Systems

Order #	System Includes
GH8111	18"/46cm Mister for Models GX350 and GF185
GE8111	21"/54cm Mister for Models GX400 and GF210
GD8111	24"/60cm Mister for Models GX500 and GF245
GJ8111	28"/70cm Mister for Model GX600
EB8111	16"/40cm Mister for Models EX400/420, EV400/420
EB9111	21"/54cm Mister for Models EX600/620, EV600/620



ACCESSORIES

Accessories







Adapter	Order #	System Includes	Frequency	Amps	Max. Volts
	EZ-0721671	Twistlock Adapter 5-15P to L5-20R	60	20	125
	EZGFI	GFI Receptacle	60	15	125
	EZ-5-15P	NEMA	60	15	125
	EZ-6-15P	NEMA	60	15	250
	EZ-5-20P	NEMA	60	20	125
	EZ-L5-15P	NEMA Twistlock	60	15	125
	EZ-L5-20P	NEMA Twistlock	60	20	125
	EZ-L5-30P	NEMA Twistlock	60	30	125
	EZ-L6-20P	NEMA Twistlock	60	20	250
	EZ-L6-30P	NEMA Twistlock	60	30	250
	EZ-70141-HD	Schuko Plug, Heavy Duty	50	16	200-250
	EZ-999-21000	Non-ATEX Splash Proof Schuko, Euro Standard	50	16	100-130
	EZ-999-21001	Non-ATEX Splash Proof Schuko, Euro Standard	50	16	200-250

ATEX CERTIFIED PLUGS

	EZ-ATX96430	ATEX Haz Loc Splash Proof Schuko, Euro Standard	50/60	16	100-130
	EZ-ATX96433	ATEX Haz Loc Splash Proof Schuko, Euro Standard	50/60	16	200-250
	EZ-UGP15231	Killark Haz Loc	60	15	125

Power Component Substitution: Euramco Safety can install any specified plug or length of cord for your specific application.


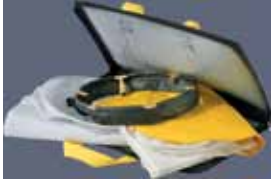




Quick Reference Order Guide

ACCESSORIES	INDUSTRIAL/ CONFINED SPACE		HAZARDOUS LOCATION		SMOKE REMOVAL	
	Model	Order #	Model	Order #	Model	Order #
Standard Duct 15'/ 4.6m and 5m 	UB20 EFi50/120/150 UB30	FDT-2162-4046BR FDT-1615BR FDT-3053 4005BB	AFi75xx AFi50xx	FDT-1215BB FDT-1615BR	EF390/400 EV400/420 EFC50/120/150 WF390L EX400/420	FDT-1615BR FDT-1615BR FDT-1615BR FDT-1615BR FDT-1615BR
Standard Duct 15'/ 7.6m and 10m 	UB20 EFi50/120/150 UB30	FDT-2162-4046BR FDT-1615BR FDT-3053 4010BB	AFi75xx AFi50xx	FDT-1225BB FDT-1625BR	EF390/400 EV400/420 EFC50/120/150 WF390L EX400/420	FDT-1625BB FDT-1625BB FDT-1625BB FDT-1625BB FDT-1625BR
Anti-Static Duct 15'/ 4.6m 			UB20xx EFi75xx EFi50xx/120xx EFi150xx AFi75xx AFi50xx	FDT-0815CBB FDT-1215CBB FDT-1615CBB FDT-1615CBB FDT-1215CBB FDT-1615CBB	EFC50x/120x/ 150x	FDT-1615CBB
Anti-Static Duct 25'/ 7.6m 			UB20xx EFi75xx EFi50xx/120xx EFi150xx AFi75xx AFi50xx	FDT-0825CBB FDT-1225CBB FDT-1625CBB FDT-1625CBB FDT-1225CBB FDT-1625CBB	EFC50x/120x/ 150x	FDT-1625CBB
Disposable Duct – 100' 	EFi50/120/150 UB30	FDT-16DISP FDT-12DISP			EF390/400 EV400/420 WF390L GX200 GF164SE GF165 EX400/420	FDT-16DISP FDT-16DISP FDT-16DISP FDT-16DISP FDT-16DISP FDT-16DISP FDT-16DISP
Layflat Duct 25'/ 7.6m 	EFi50/120/150 UB30	FDT-1625SME FDT-1225SME			EF390/400 EV400/420 EFC50/150/120 EFC50x/120x/ 150x WF390L GX200 GF164SE GF165 EX400	FDT-1625SME FDT-1625SME FDT-1625SME FDT-1625SME FDT-1625SME FDT-1625SME FDT-1625SME FDT-1625SME FDT-1625SME

Continued on next page

ACCESSORIES

Quick Reference Order Guide, *Continued*

ACCESSORIES	INDUSTRIAL/ CONFINED SPACE		HAZARDOUS LOCATION		SMOKE REMOVAL	
	Model	Order #	Model	Order #	Model	Order #
Cooling Collar 			AFi50xx	ED-MIST16	EV400/420 GF210 WF390L	ED-MIST16 GFMK WFMK
16"/40cm Multi-Purpose Accessory Pack 	EFi50/120/150	BG16LFA	EFi50xx/120xx EFi150xx AFi50xx	BG16LFA BG16LFA BG16LFA	GF164SE/165 EF390/400 EV400/420 EFC50/120/150 EFC50x/120x/ 150x EX400/420	BG16LFA BG16LFA BG16LFA BG16LFA BG16LFA BG16LFA
BIGbore™ Exhaust Diverter 					GF164SE GF165 GX200 GX350 GX400 GX500	GF7110-CZ GF7110-BZ GF7110-KZ GF7110-GZ GF7110-GZ GF7110-LZ
Hanger Kit 	EFi50/120/150	EA7090K	EFi50xx/120xx EFi150xx	EA7090K EA7090K	EFC50/120/150 EFC50x/120x/ 150x	EA7090K EA7090K
Door Bar 	EFi50/120/150	EA7080	EFi50xx/120xx EFi150xx	EA7080 EA7080	EFC50/120/150 EFC50x/120x/ 150x	EA7080 EA7080
Booster Accessory 	EFi50/120/150	EA9145	EFi50xx/120xx EFi150xx	EA9145	EFC50/120/150 EFC50x/120x/ 150x	EA9145



Notes

Euramco Warehouses:

USA

Euramco Safety

2746 Via Orange Way
Spring Valley, CA 91978 USA
Toll Free: (800) 472-6326
Phone: +1 (619) 670-9590
Fax: +1 (619) 670-7345
theteam@euramcosafety.com

CHINA

Euramco Safety China

A11, No. 1 Jinxi Road
Qingshuipu, Zhenhai
Ningbo, China 315221
Phone: +86-574-87979390
Fax: +86-574-87979391
saleschina@euramcosafety.com

LUXEMBOURG

Euramco Safety SARL

122-124 Boulevard J.F. Kennedy
L-4171 Esch-Sur-Alzette
GD de Luxembourg
Phone: +352-26008055
Fax: +352-26008056
theteam@euramcosafety.com

MIDDLE EAST – UAE

Euramco Safety Dubai

Jebel Ali FTZ
Phone: +1 (619) 670-9590
x114
Fax: +1 (619) 670-7345
theteam@euramcosafety.com



The **RAMFAN** turbo blower line includes gas, electric, air and water-powered ventilation systems with a reputation throughout the world for high performance, rugged durability and low maintenance.

Distributed by:



Euramco Safety Worldwide

www.EuramcoSafety.com